

SUBJECT:
ALUMINATOR
"ALU" SERIES

INSTRUCTION SHEET

PHILIPS Day-Brite

CAUTION: THE INSTALLATION AND SERVICING OF THIS PRODUCT SHOULD BE PERFORMED BY A QUALIFIED ELECTRICIAN OR SERVICE PERSONNEL

CAUTION: This fixture is designed for permanent installation in ordinary (Non-Hazardous) locations in accordance with the National Electrical Code and all applicable local codes. Do not use in areas of limited ventilation or in high ambient enclosures. The lamp and fixture operate at high temperatures, contact with combustible materials can cause fire and personal contact can cause severe burns.

- 1). Remove unit from carton and inspect to insure no shipping damage has occurred.
- 2). This luminaire is supplied with knockouts at each end for wiring access.
- 3). To install with optional chain/hanger kit (MUST BE ORDERED SEPARATELY):
Remove the V-Hook and chains from the bag pack.
Hook the V-Hooks into each end of the luminaire in the holes located at each end.
The chains should then be attached to the permanent structure of the building.
(See Figure 1)

NOTE: An optional adjustable cable/hanger kit is available. (MUST BE ORDERED SEPERATELY)

- 4). End caps may be removed for wiring access and or ballast service. (See Figure 2)

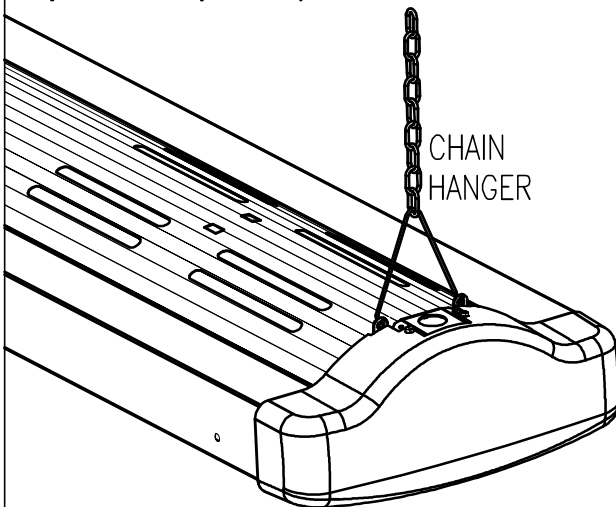
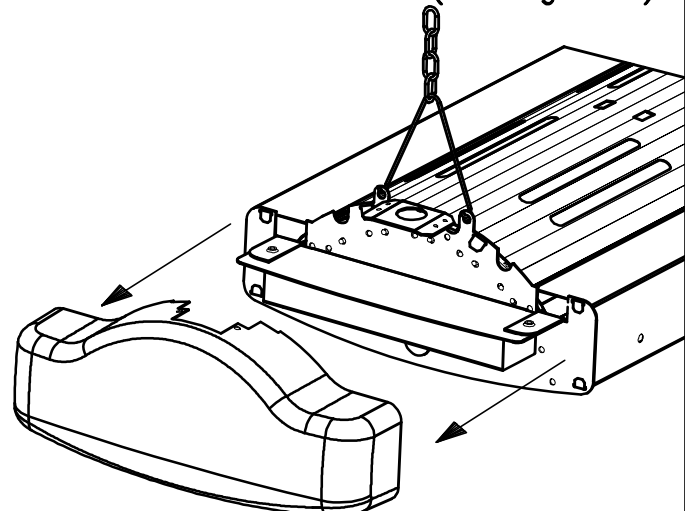
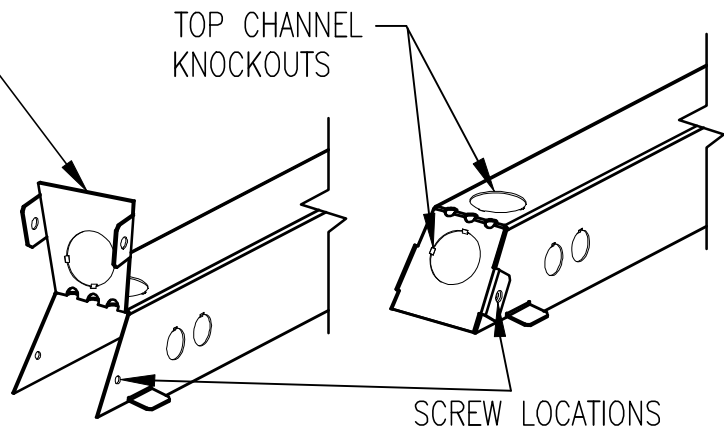
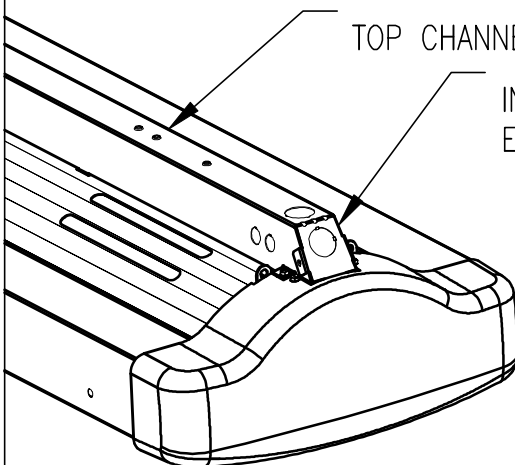


FIG.1 - INSTALLATION WITH OPTIONAL
CHAIN HANGER



Some T5 and emergency versions may be equipped with a top channel. Wiring access may be achieved through knockouts supplied at each end of the top channel. An integral end cover may be opened to make wiring connections or install rigid stems. Integral end cover is supplied with screw mounting locations for use if desired.



FRONT

SEPT 2009

7-23148-101