

SUBJECT:

# AA20 LOGISTIXPRO OPTICAL ASSEMBLY

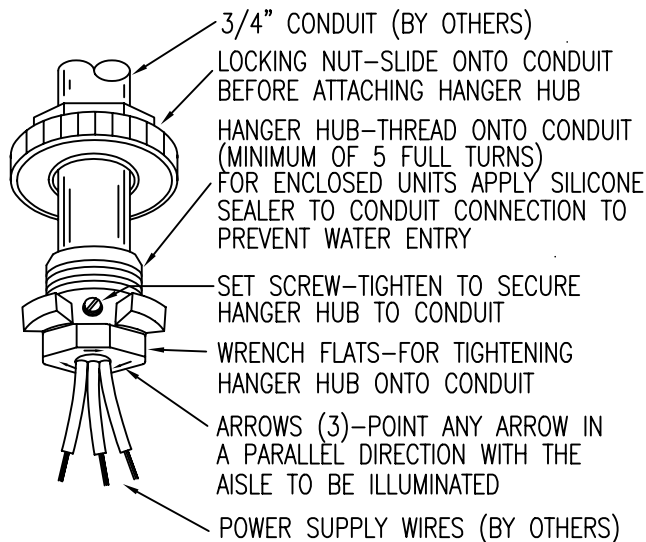


# INSTRUCTION SHEET

**WARNING:** ELECTRICAL SHOCK POTENTIAL !! DO NOT ATTEMPT TO INSTALL, MAINTAIN OR RELAMP WITHOUT DISCONNECTING ALL POWER. FAILURE TO DISCONNECT POWER CAN RESULT IN ELECTROCUTION, SHOCK OR SEVERE BURNS.

**CAUTION:** This fixture is designed for permanent installation in ordinary (Non-Hazardous) locations in accordance with the National Electrical Code and all applicable local codes. Do not use in areas of limited ventilation or in high ambient enclosures. The lamp and fixture operate at high temperatures, contact with combustible materials can cause fire and personal contact can cause severe burns.

## MOUNTING BALLAST HOUSING TO CONDUIT-OPEN UNITS



- 1) LIFT BALLAST HOUSING ONTO THE HANGER HUB AND ROTATE 60° UNTIL SEATED ON HUB

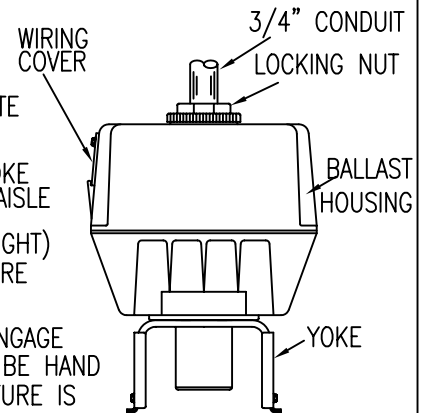
NOTE: REFLECTOR MOUNTING YOKE MUST BE PARALLEL WITH AISLE

- 2) TURN LOCKING NUT (HAND TIGHT) ONTO HANGER HUB TO SECURE BALLAST HOUSING

**WARNING:** LOCKING NUT MUST ENGAGE THREADS ON HANGER HUB AND BE HAND TIGHTENED TO INSURE THAT FIXTURE IS PROPERLY SEATED ON HUB

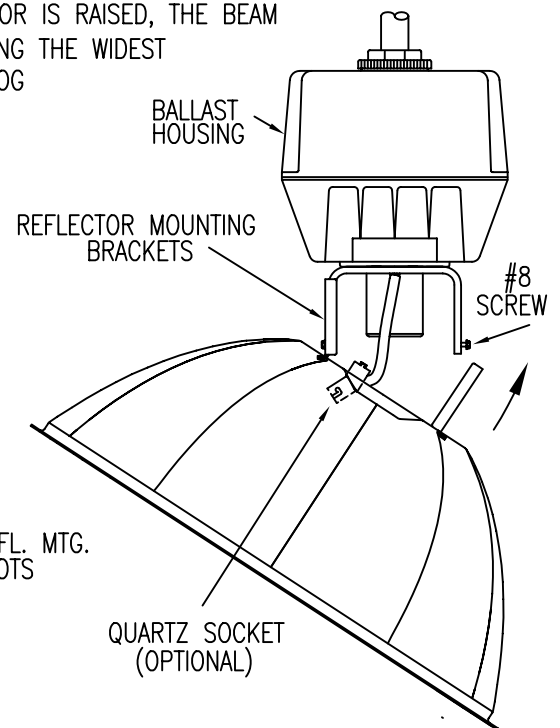
**CAUTION:** THE LOCKING NUT IS PROVIDED WITH WRENCH FLATS TO BE USED ONLY IF NECESSARY TO REMOVE NUT

- 3) REMOVE WIRING COVER AND MAKE SUPPLY CONNECTIONS (USE 90°C SUPPLY WIRE) REPLACE WIRING COVER



## OPEN REFLECTOR MOUNTING

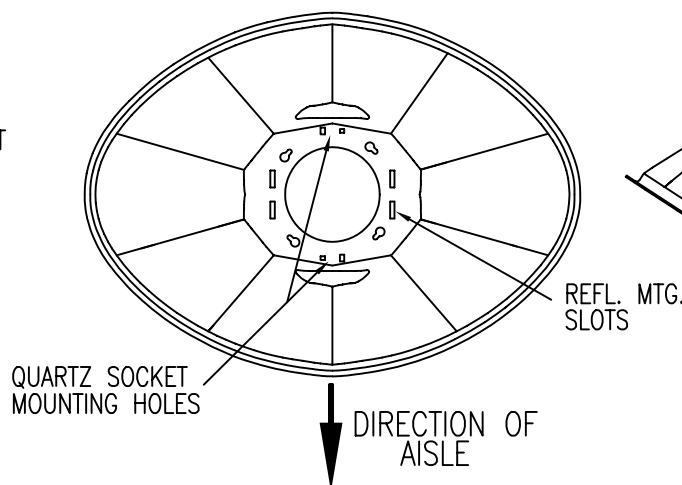
- 1) LOOSEN, DO NOT REMOVE, THE #8 SCREW AT (1) OF THE REFLECTOR MOUNTING BRACKETS. SLIDE REFLECTOR BRACKET SO CENTER HOLE IS OVER SCREW HEAD AND REMOVE BRACKET FROM YOKE.
- 2) POSITION TABS OF OTHER REFLECTOR BRACKET IN SLOTS OF REFLECTOR AS SHOWN. POSITION LOOSE REFLECTOR BRACKET IN SLOTS OF REFLECTOR ON OPPOSITE SIDE. SWING REFLECTOR UP REPLACING LOOSE REFLECTOR BRACKET OVER #8 SCREW HEAD AT CENTER HOLE.
- 3) LOOSEN, DO NOT REMOVE, BOTH #8 SCREWS AND SLIDE REFLECTOR TO DESIRED LIGHT DISTRIBUTION LOCATION. POSITION 1 WILL PRODUCE A NARROW BEAM LIGHT DISTRIBUTION. AS THE REFLECTOR IS RAISED, THE BEAM LIGHT DISTRIBUTION WILL GRADUALLY BECOME WIDER WITH POSITION 6 BEING THE WIDEST DISTRIBUTION. FOR PRECISE SETTINGS OF LIGHT DISTRIBUTION SEE CATALOG SPECIFICATION SHEET FOR INDIVIDUAL REFLECTOR AND LAMP.



## OPTIONAL QUARTZ MOUNTING

THE QUARTZ SOCKET IS EQUIPED WITH A SPRING STEEL BRACKET. AFTER REFLECTOR HAS BEEN INSTALLED, ROUTE SOCKET THRU CENTER HOLE OF REFLECTOR, AND SNAP QUARTZ SOCKET BRACKET INTO THE SMALL SQUARE HOLES IN REFLECTOR ON EITHER SIDE.

## FIXTURE/AISLE ORIENTATION



GAR

7 87625-591 November 2002