

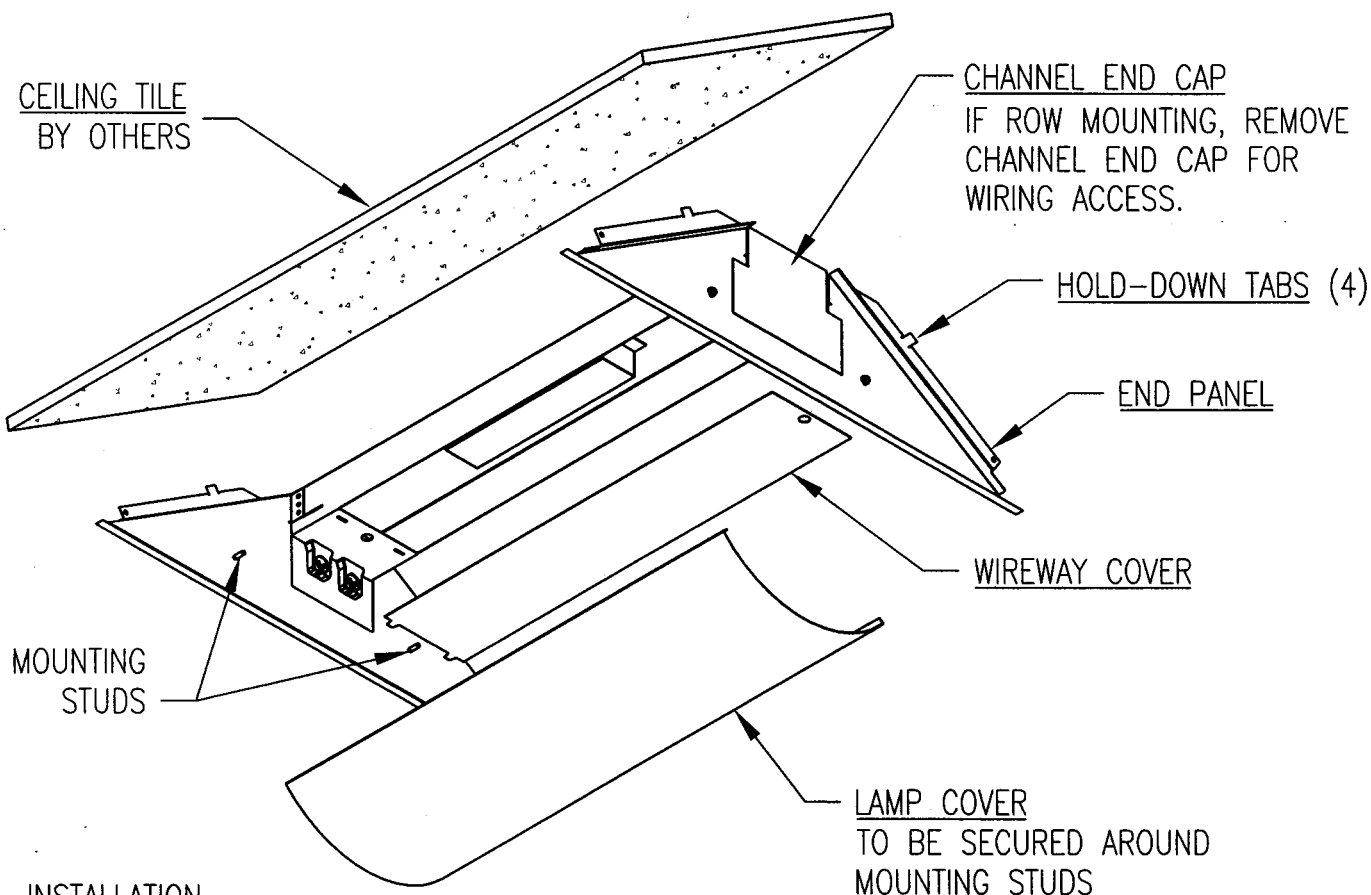
SUBJECT:

TENUTO  
CENTER MOUNTED BASKET

 Day-Brite Lighting

# INSTRUCTION SHEET

CAUTION: THE INSTALLATION AND SERVICING OF THIS PRODUCT SHOULD BE PERFORMED BY A QUALIFIED ELECTRICIAN OR SERVICE PERSONNEL



## INSTALLATION INSTRUCTIONS:

- 1) REMOVE LAMP COVER FROM MOUNTING STUDS, THEN REMOVE WIREWAY COVER FROM WIRING CHANNEL.
- 2) CUT A SINGLE CEILING TILE LENGTHWISE INTO 2 PIECES. (CEILING TILE PROVIDED BY OTHERS)
- 3) COVER TOP OF COMPLETE ASSEMBLY WITH 2 PIECES OF CEILING TILE. BEND OVER "HOLD-DOWN TABS" TO SECURE CEILING TILE IN PLACE.
- 4) SET ASSEMBLY INTO LAY-IN CEILING LOCATION AND MAKE NECESSARY WIRING CONNECTIONS. SEE CAUTION NOTE ABOVE.
- 5) REATTACH CHANNEL COVER TO WIRING CHANNEL BY INSERTING TABS INTO SLOTS ON ONE END AND SECURING WITH QUARTER-TURN FASTENER ON OTHER END.
- 6) INSTALL LAMPS.
- 7) REATTACH LAMP COVER ONTO MOUNTING STUDS.
- 8) ENERGIZE.

NOTE: INSTALLATION INSTRUCTIONS ARE THE SAME FOR 4ft AND 2ft FIXTURES.