

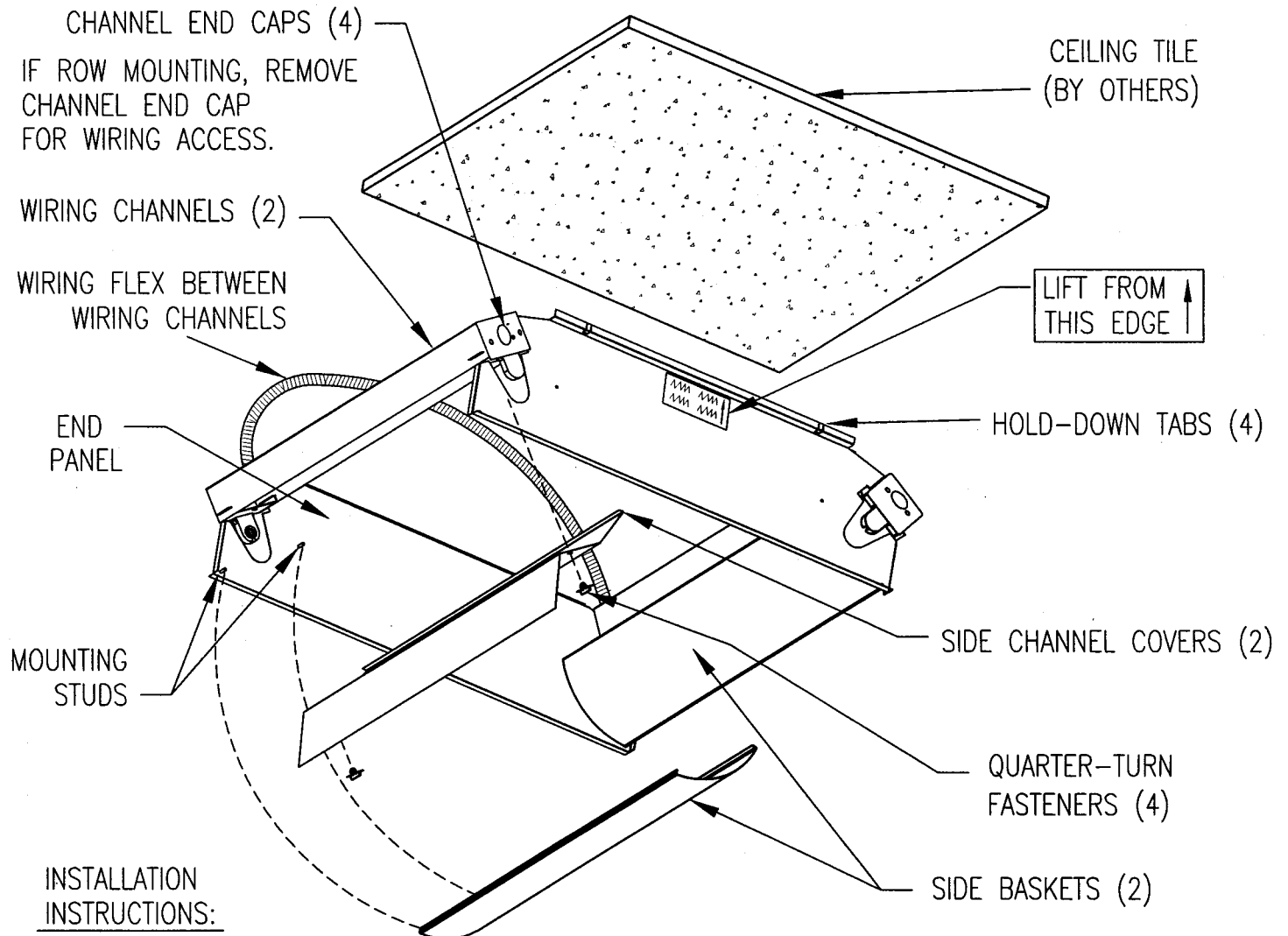
SUBJECT:

TENUTO
SIDE MOUNTED BASKETS

 Day-Brite Lighting

INSTRUCTION SHEET

CAUTION: THE INSTALLATION AND SERVICING OF THIS PRODUCT SHOULD BE PERFORMED BY A QUALIFIED ELECTRICIAN OR SERVICE PERSONNEL



- 1) REMOVE SIDE BASKET AND SIDE CHANNEL COVER FROM WIRING CHANNEL FOR ELECTRICAL ACCESS. WIRING CHANNEL WITH BALLAST IS MARKED WITH A LABEL.
- 2) COVER TOP OF COMPLETE ASSEMBLY WITH CEILING TILE (PROVIDED BY OTHERS). BEND OVER "HOLD-DOWN TABS" TO SECURE CEILING TILE IN PLACE.
- 3) SET ASSEMBLY INTO LAY-IN CEILING LOCATION AND MAKE NECESSARY WIRING CONNECTIONS. SEE CAUTION NOTE ABOVE.
- 4) ENSURE BUILT-IN GRID CLIPS, AT CORNERS, ARE FORMED OVER THE T-BAR AND LOWER PORTION ENGAGES THE T-BAR BULB.
- 5) REATTACH SIDE CHANNEL COVER TO WIRING CHANNEL WITH QUARTER-TURN FASTENER (PROVIDED)
- 6) INSTALL LAMPS.
- 7) REATTACH SIDE BASKET ONTO MOUNTING STUDS.
- 8) ENERGIZE. NOTE: INSTALLATION INSTRUCTIONS ARE THE SAME FOR 4ft AND 2ft FIXTURES.