

SUBJECT:

ADAGIO DIRECT/INDIRECT



INSTRUCTION SHEET

WARNING: ELECTRICAL SHOCK POTENTIAL !! DO NOT ATTEMPT TO INSTALL, MAINTAIN OR RELAMP WITHOUT DISCONNECTING ALL POWER. FAILURE TO DISCONNECT POWER CAN RESULT IN ELECTROCUTION, SHOCK OR SEVERE BURNS.

CAUTION: This fixture is designed for permanent installation in ordinary (Non-Hazardous) locations in accordance with the National Electrical Code and all applicable local codes. Do not use in areas of limited ventilation or in high ambient enclosures. The lamp and fixture operate at high temperatures, contact with combustible materials can cause fire and personal contact can cause severe burns.

STEP 1: REMOVE FIXTURE FROM CARTON.

STEP 2: INSTALL FIXTURE TO SUSPENSION SYSTEM WHERE SHOWN IN FIG. A.

NOTE:

SEE ACH SERIES INSTRUCTION SHEET FOR WIRING AND INSTALLATION INSTRUCTIONS.

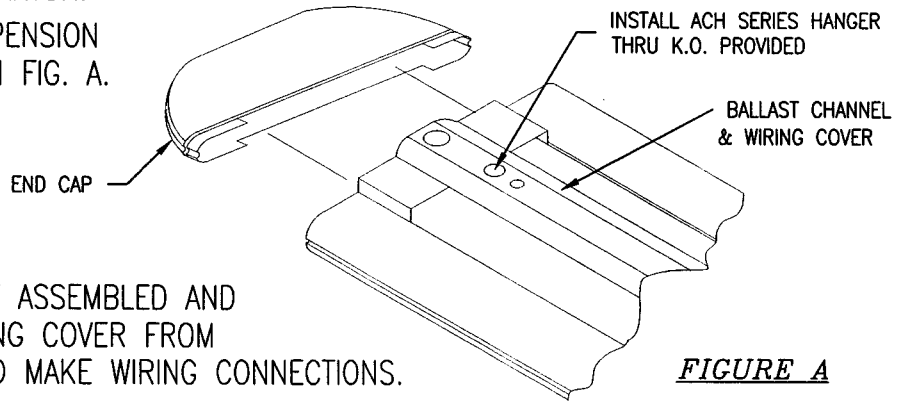


FIGURE A

- A) INDIVIDUAL UNITS ARE COMPLETELY ASSEMBLED AND READY TO INSTALL. REMOVE WIRING COVER FROM BOTTOM OF BALLAST CHANNEL AND MAKE WIRING CONNECTIONS.
- B) CONTINUOUS ROW FIXTURES ARE COMPLETELY ASSEMBLED AND READY TO INSTALL. FOR FIXTURE AT BEGINNING OF ROW, REMOVE WIRING COVER FROM BOTTOM OF BALLAST CHANNEL AND MAKE WIRING CONNECTIONS. FOR MIDDLE OF ROW FIXTURES, MODULAR WIRING SHOULD BE PLUGGED TOGETHER AS SHOWN IN FIG. B.
- D) INSTALL ALIGNER BRACKETS BETWEEN FIXTURES AND ATTACH FIXTURES END TO END WITH 1/4-20 NUTS AND BOLTS PROVIDED AS SHOWN IN FIG. B.

STEP 3: ATTACH END CAPS TO BOTH ENDS OF ROW AS SHOWN IN FIG. A WITH PROVIDED SCREWS.

INDIVIDUAL MOUNT

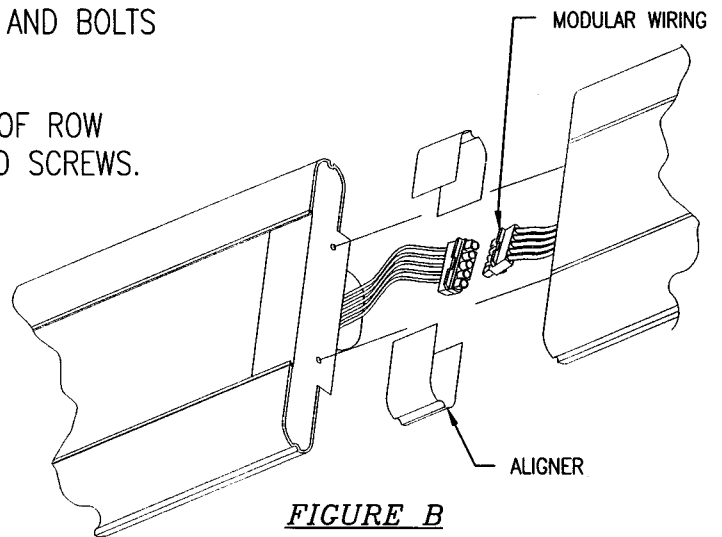
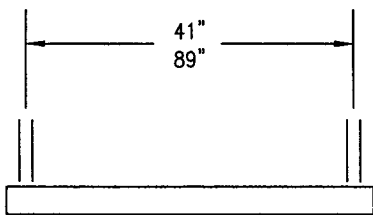
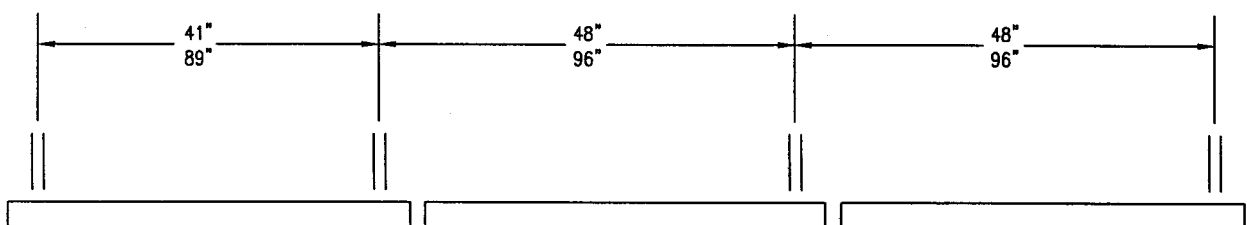


FIGURE B

CONTINUOUS ROW MOUNT



7 87625-440 OCT '01