

SUBJECT:

# ADAGIO INDIRECT

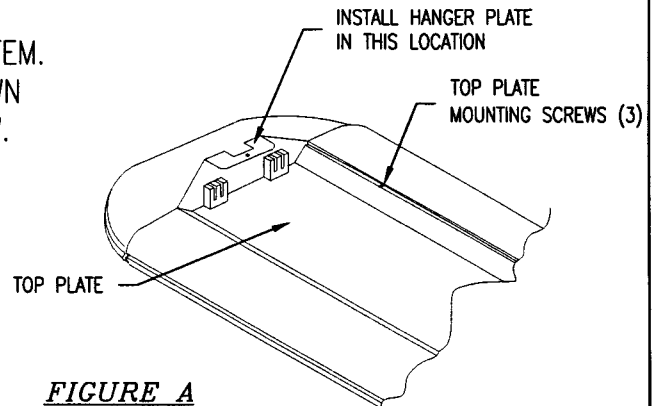
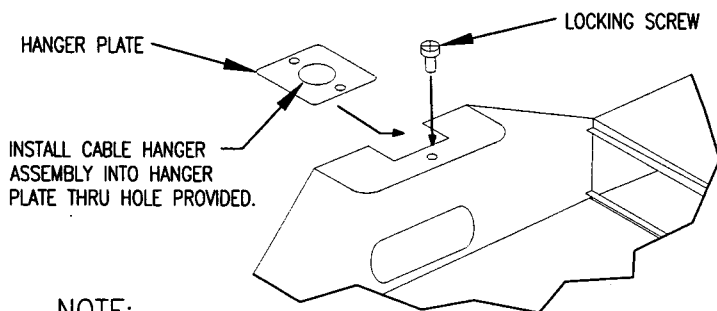
# Day-Brite Lighting INSTRUCTION SHEET

**WARNING:** ELECTRICAL SHOCK POTENTIAL !! DO NOT ATTEMPT TO INSTALL, MAINTAIN OR RELAMP WITHOUT DISCONNECTING ALL POWER. FAILURE TO DISCONNECT POWER CAN RESULT IN ELECTROCUTION, SHOCK OR SEVERE BURNS.

**CAUTION:** This fixture is designed for permanent installation in ordinary (Non-Hazardous) locations in accordance with the National Electrical Code and all applicable local codes. Do not use in areas of limited ventilation or in high ambient enclosures.

**STEP 1:** REMOVE FIXTURE FROM CARTON.

**STEP 2:** INSTALL HANGER PLATE TO SUSPENSION SYSTEM.  
INSTALL FIXTURE TO HANGER PLATE AS SHOWN IN FIG. A AND SECURE WITH LOCKING SCREW.

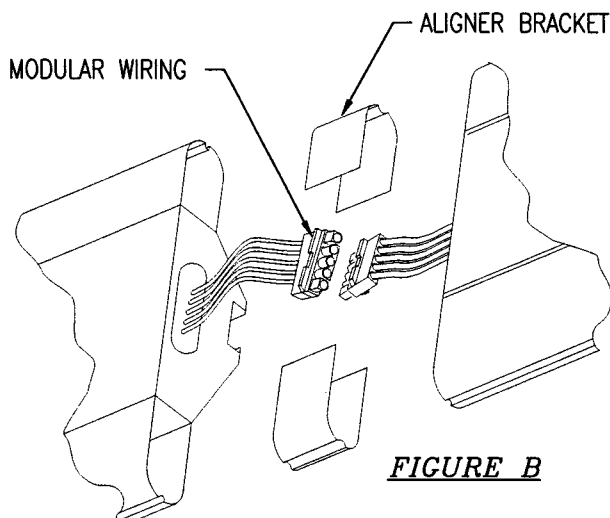


**FIGURE A**

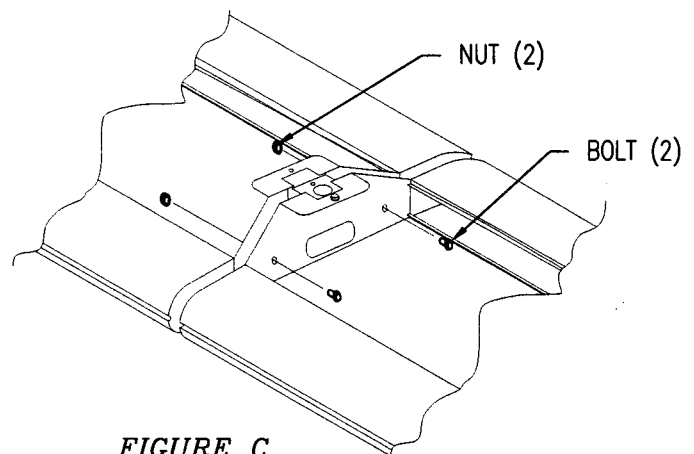
**NOTE:**

SEE ACH SERIES INSTRUCTION SHEET FOR WIRING AND INSTALLATION INSTRUCTIONS.

- A) INDIVIDUAL UNITS ARE COMPLETELY ASSEMBLED AND READY TO INSTALL. REMOVE 3 SCREWS FROM TOP OF FIXTURE AND REMOVE TOP PLATE WITH LAMPHOLDERS AS SHOWN IN FIG A. MAKE WIRING CONNECTIONS AND REINSTALL TOP PLATE.
- B) CONTINUOUS ROW FIXTURES ARE COMPLETELY ASSEMBLED AND READY TO INSTALL. FOR FIXTURE AT BEGINNING OF ROW, MAKE WIRING CONNECTIONS AS DESCRIBED ABOVE IN STEP "A". FOR MIDDLE OF ROW FIXTURES, PLUG MODULAR WIRING TOGETHER AS SHOWN IN FIG. B.
- C) INSTALL NEXT FIXTURE IN ROW TO REMAINING SIDE OF HANGER PLATE WHILE INSTALLING ALIGNER BRACKETS BETWEEN FIXTURES. SECURE FIXTURE TO HANGER PLATE WITH LOCKING SCREW. ATTACH FIXTURES END TO END WITH 1/4-20 NUTS AND BOLTS PROVIDED AS SHOWN IN FIG. C.



**FIGURE B**



**FIGURE C**

7 87625-441 NOV '01 (FRONT)

SUBJECT:

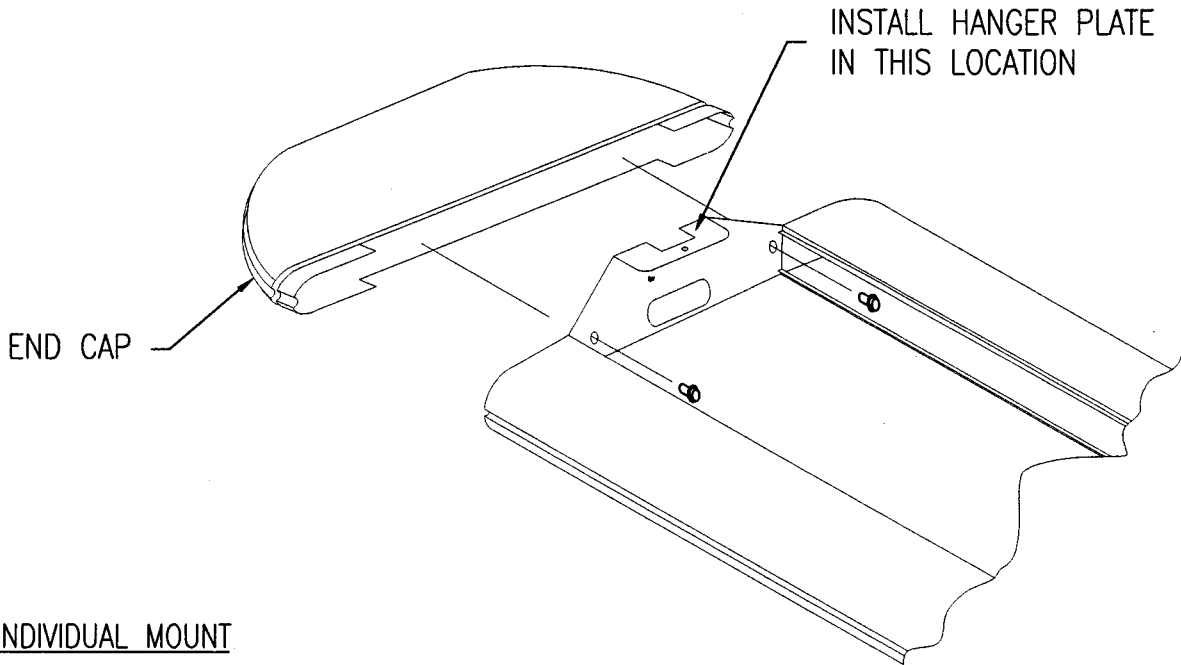
# ADAGIO INDIRECT



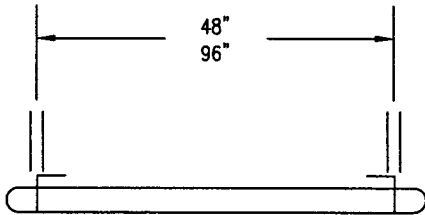
# INSTRUCTION SHEET

CAUTION: THE INSTALLATION AND SERVICING OF THIS PRODUCT SHOULD BE PERFORMED BY A QUALIFIED ELECTRICIAN OR SERVICE PERSONNEL

STEP 3: ATTACH END CAPS TO BOTH ENDS OF ROW AS SHOWN IN FIG. D WITH PROVIDED SCREWS.



### INDIVIDUAL MOUNT



*FIGURE D*

### CONTINUOUS ROW MOUNT

