

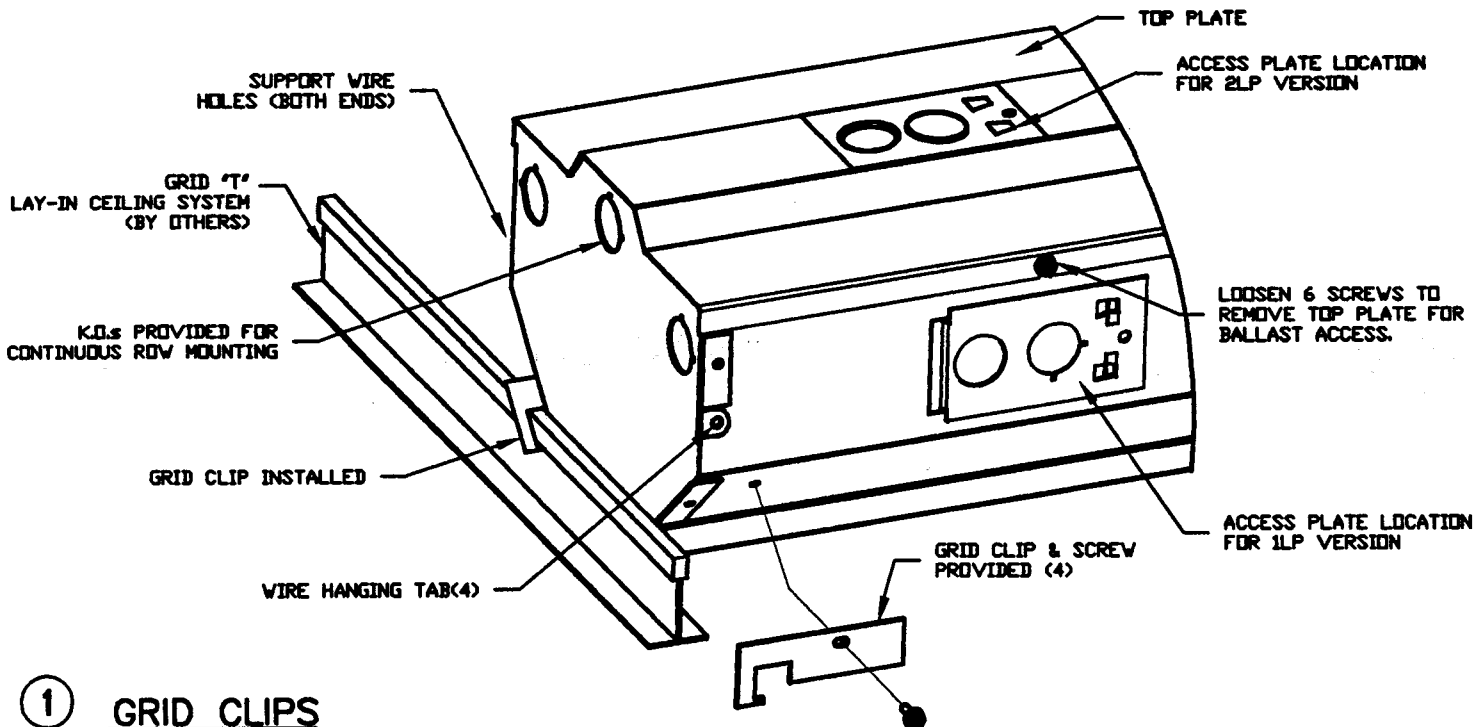
SUBJECT:

MICRO SLOT LIGHT

Day-Brite Lighting INSTRUCTION SHEET

CAUTION: THE INSTALLATION AND SERVICING OF THIS PRODUCT SHOULD BE PERFORMED BY A QUALIFIED ELECTRICIAN OR SERVICE PERSONNEL

FOR USE WITH ACOUSTICAL CEILINGS USING EXPOSED GRID SUSPENSION



1 GRID CLIPS

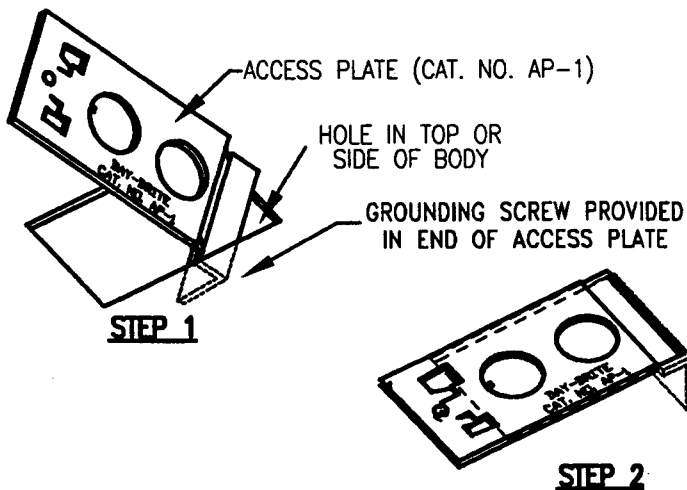
- ATTACH GRID CLIPS TO EACH SIDE AT THE END OF FIXTURE WITH SCREWS PROVIDED AS SHOWN ABOVE. GRID CLIPS HOOK OVER TOP OF GRID "T".

2 TOP PLATE - BALLAST ACCESS

- FOR BALLAST ACCESS, REMOVE TOP PLATE BY LOOSENING 6 SCREWS. (SEE ABOVE)

3 ACCESS PLATE

- INSERT ACCESS PLATE INTO HOLE PROVIDED IN BODY AS SHOWN IN STEP 1.
- ROTATE ACCESS PLATE UNTIL SLOTS IN ACCESS PLATE ARE OVERLAPPING HOLE.
- ROTATE ACCESS PLATE DOWN AND SLIDE IN DIRECTION SHOWN IN STEP 2 UNTIL ACCESS PLATE IS FIRMLY ATTACHED TO FIXTURE BODY



GROUNDING CONDUCTOR (IF INSULATED) TO BE STRIPPED MIN. 1" - INSERT END OF WIRE INTO SMALL HOLE - WRAP WIRE UNDER AND AROUND HEAD OF SCREW COUNTERCLOCKWISE (AS ILLUSTRATED) TIGHTEN SCREW.



7-87625-310 NOV.99 FRONI

SUBJECT:

MICRO SLOT LIGHT

 Day-Brite Lighting

INSTRUCTION SHEET

CAUTION: THE INSTALLATION AND SERVICING OF THIS PRODUCT SHOULD BE PERFORMED BY A QUALIFIED ELECTRICIAN OR SERVICE PERSONNEL

④ CEILING TILE TEMPLATE

- IN ORDER TO CENTER FIXTURE IN A 2FT BY 4FT GRID OPENING, SIDE CEILING TILES MUST BE CUT TO FIT IN ON EACH SIDE OF FIXTURE.
- AFTER CUTTING CEILING TILE TO CORRECT SIZE, INSTALL TILE INTO GRID "T" CEILING SYSTEM AS SHOWN BELOW.

