

**1 Lamp
T5 or T5HO
Armstrong Techzone Compatible**

APPLICATION

6" wide high efficiency recessed luminaire with subtle architectural styling to complement any space. Smooth brightness across the face of the luminaire prevents glare and provides excellent visual comfort. Designed for use with the Armstrong TechZone ceiling system. Soft uniform lighting provides excellent visual comfort. High optical efficiency increases energy savings. Specialized optical system directs a carefully controlled amount of light to higher angles. This distribution addresses the cave effect normally created by parabolic luminaires and makes the space feel brighter and more open. Luminaire is thermally optimized, allowing its T5 lamp to operate nearer the peak operating temperature for light output. Models are available for grid or screw slot applications. Screw slot models position the bottom of the luminaire even with the ceiling plane.

CONSTRUCTION/FINISH

Lamp and ballast are accessible from below. Grid clips included. Suitable for mounting end to end in adjacent ceiling cells.

ELECTRICAL

Spring loaded T5 lampholders standard. UL listed for damp locations.

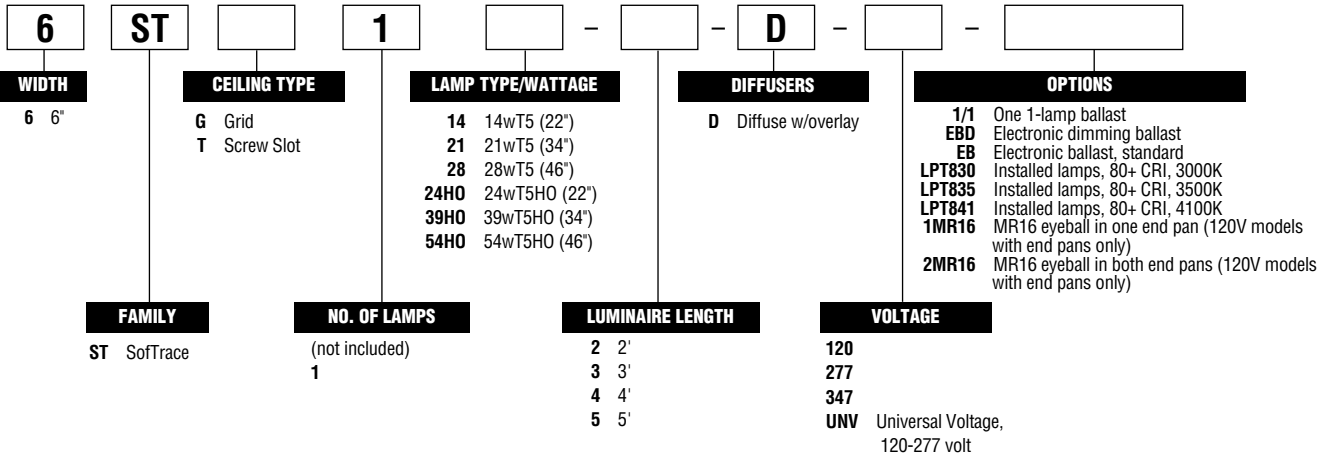
ENCLOSURES

Shielding consists of a curved acrylic center diffuser with overlay and diffuse acrylic side panels.

OPTIONS

End pans can be ordered by specifying a luminaire length 1' longer than the nominal lamp length (i.e. a 54HO model with 5' length.) Optional end pans are 7-3/4" long solid white steel panels and can be used for locating speakers, sprinkler heads, return air openings, etc. Special feature provisions can be factory incorporated into end pans in some instances. Contact factory rep for details. MR16 options available for 120V models with end pans, consists of an aimable aluminum eyeball in one or both end pans. Requires 120V MR16 lamps, GU10 base, 50W max per eyeball.

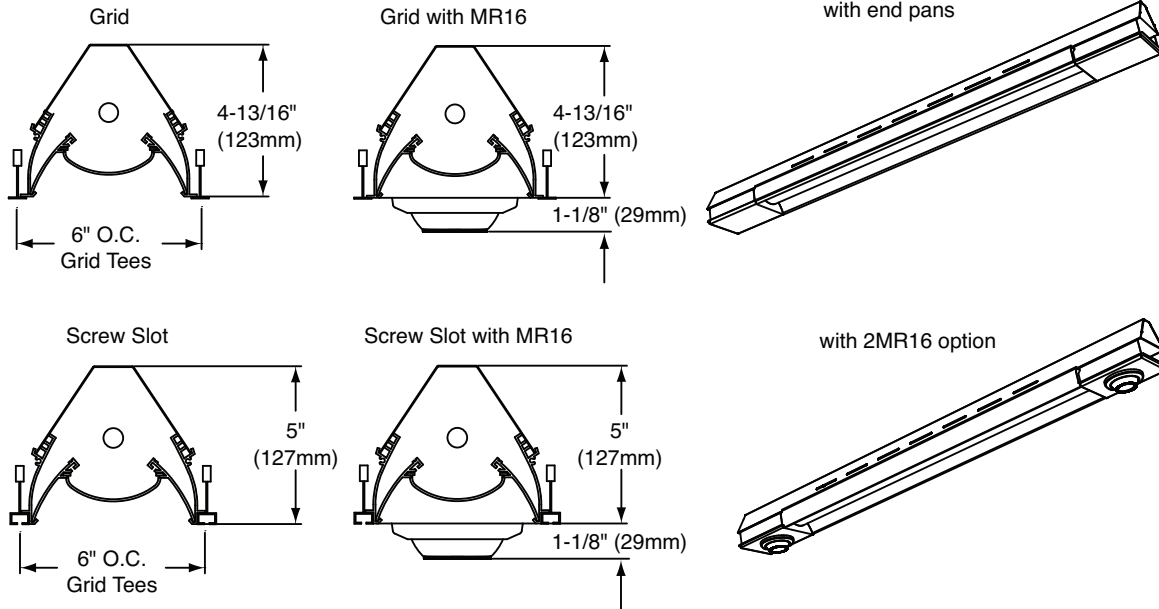
CATALOG NUMBER



JOB INFORMATION

0163-AR

DIMENSIONS



PHOTOMETRIC DATA

CATALOG # 6STG154HO-5-D-1/1-EB
TEST #27291

S/MH=1.2

LAMPS = F54T5HO

BALLAST = ELECTRONIC

INPUT WATTS = 64

BALLAST FACTOR = 1.00

LER = 52

COMPARATIVE YEARLY LIGHTING ENERGY COST PER 1000 LUMENS = \$4.62 BASED ON 3000 HRS. AND \$.08 PER KWH.

FIXTURE EFFICIENCY = 68.6%

CANDLEPOWER				
Angle	End	45	Cross	
0	1232	1232	1232	
5	1222	1210	1262	
10	1197	1185	1237	
15	1170	1157	1205	
20	1125	1112	1152	
25	1069	1053	1086	
30	1011	998	998	
35	923	898	899	
40	851	816	808	
45	747	704	666	
50	660	605	560	
55	548	488	442	
60	468	408	387	
65	356	294	268	
70	275	215	211	
75	183	146	140	
80	122	101	101	
85	54	54	59	

MAINTAINED ILLUMINATION TABLE - Square Feet/Fixture*			
Fixture Size & # of Lamps	Room Width Room Height	Approx. Area (sq. ft.) per Fixture	
		30 ft-c	50 ft-c
6" x 5'	5	101	60
T5HO	2	70	42
Diffuse	1	51	31

*Observe Fixture S/MH Requirements for Specific Applications

$$.89LLF = .94LDD \times .95LLD \times 1.00BF$$

COEFFICIENT OF UTILIZATION						
pfc pcc pw RCR	20		70		50	
	70	50	30	70	50	30
0	88	88	88	84	84	84
1	80	77	73	78	75	71
2	73	68	63	70	66	61
3	67	59	54	65	57	51
4	61	53	46	59	52	46
5	56	47	40	55	46	44
6	53	42	36	51	41	35
7	48	39	33	46	38	32
8	46	35	29	44	34	28
9	42	33	27	40	32	27
10	40	29	25	39	29	23

LIGHT DISTRIBUTION			
DEGREES	LUMENS	% LAMP	% FIXTURE
0-30	934	21.2	30.9
0-40	1497	34.0	49.6
0-60	2482	56.4	82.2
0-90	3019	68.6	100.0



The photometric results were obtained in the Day-Brite Lighting Laboratory which is NVLAP accredited by the National Institute of Standards and Technology.