

2' x 2'
1 or 2 Lamp
Center Basket
Recessed Direct/Indirect

APPLICATION

- Recessed direct/indirect luminaire for glare-free illumination.
- Fits standard 2' x 2' inverted T-grid (NEMA "G") opening.
- Fully recessed mounting, suitable for row mounting.
- Uses standard 2' x 2' ceiling tile (by others) cut in half as top cover/reflector.
- Ceiling tiles identical to surrounding ceiling can be used to provide a very integrated appearance.
- Different materials, patterns, or colors can be used to create accents or architectural features.
- Economical alternative to traditional recessed direct/indirect luminaires.

CONSTRUCTION/FINISH

- Delivered assembled with ballast channel, end panels, and one-piece perforated lamp cover. Ceiling tile to be supplied by others and installed on site.
- Ballast channel made of code gauge die formed steel.
- Multi-stage phosphate treated for maximum corrosion resistance and finish coat is baked white enamel.
- Micro-perforated, center mounted lamp cover provides soft awareness to light source.

- Soft white overlay on inside of lamp cover conceals lamp image and balances between direct and reflected light.
- Easy ballast access through lamp compartment.
- Swing down lamp cover for easy relamping.

ELECTRICAL

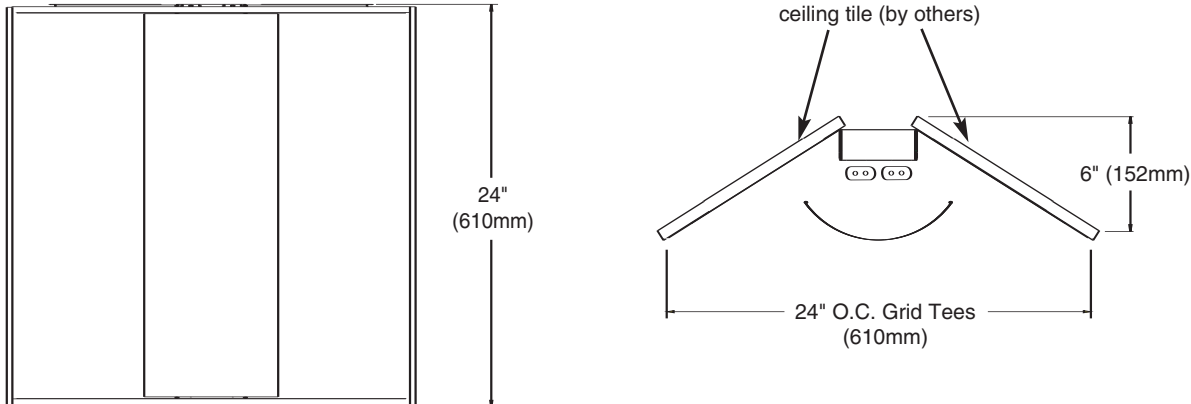
- UL listed for damp locations.
- Class P, HPF ballasts comply with ©Federal Ballast Law (public law 100-357, 1988).
- Self contained emergency power pack can be incorporated. UL listed for dry locations.
- Power-Connect modular wiring option available for continuous row applications (see sheet 1604-OA).
- Electronic ballast standard for maximum efficiency.

CATALOG NUMBER

| | | | | | | | | | | | |
|--------------------|-------------------------------------|--------------------------------------|---------------------------------|---|-----|---|--|---|--|---|-----|
| 2 | TO | C | G | [] | [] | - PMW - | [] | - | [] | - | [] |
| WIDTH 2' | FIXTURE FAMILY TO- Tenuto | BASKET LOCATION C - Center | CEILING TYPE G - Grid | LAMP TYPE/WATTAGE 14 - 14wT5 (22") 17 - 17wT8 (24") 24HO - 24wT5HO (22") CF40 - 40wTT5 (22-1/2") CF50 - 50wTT5 (22-1/2") CF55 - 55wTT5 (22-1/2") | | SHIELDING PMW - Perforated Metal with White Overlay | VOLTAGE 120 277 347 (consult factory for availability) UNV - Universal voltage, 120-277 volt (T8 and 40wTT5 only) | BALLAST Generic Electronic Ballasts (Brand selected by Day-Brite) Suffix Catalog # with - Ballast Quantity - / -EB Lamps Per Ballast. | OPTIONS CM - Canadian Market | | |
| | | | | NO. OF LAMPS (not included) 1 2 | | | | | | | |

Example: -1/1-EB = One 1 Lamp Electronic Ballast.
Example: -1/2-EB = One 2 Lamp Electronic Ballast.

DIMENSIONS



PHOTOMETRIC DATA

CATALOG # 2TOCG2CF40-PMW-1/2-EB
TEST #22252 S/MH=1.2

LAMPS = 40wTT5
BALLAST = ELECTRONIC

INPUT WATTS = 68

BALLAST FACTOR = .88

LER = 50

COMPARATIVE YEARLY LIGHTING ENERGY COST PER 1000 LUMENS = \$4.80 BASED ON 3000 HRS. AND \$.08 PER KWH.

FIXTURE EFFICIENCY= 60.9%

| CANDLEPOWER | | | |
|-------------|------|------|-------|
| Angle | End | 45 | Cross |
| 0 | 1429 | 1429 | 1429 |
| 5 | 1417 | 1424 | 1422 |
| 10 | 1398 | 1403 | 1403 |
| 15 | 1364 | 1371 | 1368 |
| 20 | 1318 | 1325 | 1319 |
| 25 | 1256 | 1263 | 1253 |
| 30 | 1181 | 1193 | 1172 |
| 35 | 1098 | 1102 | 1084 |
| 40 | 1005 | 998 | 992 |
| 45 | 897 | 895 | 897 |
| 50 | 779 | 763 | 803 |
| 55 | 654 | 675 | 708 |
| 60 | 523 | 566 | 611 |
| 65 | 398 | 457 | 504 |
| 70 | 284 | 348 | 428 |
| 75 | 184 | 255 | 235 |
| 80 | 99 | 113 | 136 |
| 85 | 36 | 40 | 48 |

MAINTAINED ILLUMINATION TABLE- Square Feet/Fixture*

- 80-50-20 Reflectances (Ceiling-Wall-Floor)
- LLF = 0.73 3150 Lumens/Lamp very clean
- Room width divided by room height = 5 or more, 2 or 1

| Fixture Size & # of Lamps | Room Width Room Height = | Approx. Area (sq. ft.) per Fixture | | | |
|---------------------------|-----------------------------|------------------------------------|---------|---------|---------|
| | | 10 ft-c | 30 ft-c | 50 ft-c | 70 ft-c |
| 2' x 2' 2 Lamp | 5 | - | 98 | 59 | 42 |
| | 2 | - | 66 | 40 | - |
| | 1 | 146 | 49 | - | - |

*Observe Fixture S/MH Requirements for Specific Applications

AVERAGE LUMINANCE CD/SQ.M WITH 3150 LUMEN LAMPS

| ANGLE | END | 45° | CROSS |
|-------|------|------|-------|
| 45 | 3414 | 3406 | 3414 |
| 55 | 3068 | 3167 | 3322 |
| 65 | 2534 | 2910 | 3209 |
| 75 | 1913 | 2651 | 2443 |
| 85 | 1112 | 1235 | 1482 |

TYPICAL V.C.P.'s Room Mounting Height Size Lengthwise Crosswise

| Room Size | Mounting Height | | | |
|-----------|-----------------|----|-----|----|
| | 8.5 | 10 | 8.5 | 10 |
| 30x30 | 51 | 53 | 47 | 50 |
| 40x40 | 51 | 51 | 47 | 48 |
| 60x30 | 55 | 56 | 52 | 54 |
| 60x60 | 52 | 51 | 48 | 48 |
| 100x100 | 55 | 54 | 52 | 50 |

COEFFICIENT OF UTILIZATION

| pfc pcc pw RCR | 20 | | 70 | | 50 | |
|-------------------------|----|----|----|----|----|----|
| | 70 | 50 | 30 | 70 | 50 | 30 |
| 0 | 72 | 72 | 72 | 70 | 70 | 68 |
| 1 | 66 | 64 | 60 | 65 | 61 | 59 |
| 2 | 60 | 56 | 52 | 58 | 54 | 51 |
| 3 | 55 | 48 | 44 | 54 | 47 | 42 |
| 4 | 51 | 42 | 38 | 48 | 42 | 38 |
| 5 | 46 | 39 | 33 | 45 | 38 | 33 |
| 6 | 42 | 34 | 29 | 41 | 34 | 28 |
| 7 | 40 | 32 | 26 | 39 | 30 | 26 |
| 8 | 36 | 28 | 23 | 35 | 28 | 23 |
| 9 | 34 | 27 | 22 | 34 | 26 | 22 |
| 10 | 33 | 25 | 20 | 32 | 23 | 20 |

LIGHT DISTRIBUTION

| DEGREES | LUMENS | % LAMP | % FIXTURE |
|---------|--------|--------|-----------|
| 0-30 | 1100 | 17.5 | 28.7 |
| 0-40 | 1786 | 28.3 | 46.5 |
| 0-60 | 3086 | 49.0 | 80.4 |
| 0-90 | 3837 | 60.9 | 100.0 |

LLF = .73 LLF = LIGHT LOSS FACTOR LLF = LDD X LLD X BF LDD = VERY CLEAN 0.94 CLEAN 0.90
LLD = 0.88 @ 40% RATED LAMP LIFE BF = .88 ELECTRONIC BALLAST & 40wTT5 LAMP (RELAMP AT 70% LAMP LIFE)