

**2' x 4'  
1 or 2 Lamp  
Center Basket  
Recessed Direct/Indirect**

**APPLICATION**

- Recessed direct/indirect luminaire for glare-free illumination.
- Fits standard 2' x 4' inverted T-grid (NEMA "G") opening.
- Fully recessed mounting, suitable for row mounting.
- Uses standard 2' x 4' ceiling tile (by others) cut in half as top cover/reflector.
- Ceiling tiles identical to surrounding ceiling can be used to provide a very integrated appearance.
- Different materials, patterns, or colors can be used to create accents or architectural features.
- Economical alternative to traditional recessed direct/indirect luminaires.

**CONSTRUCTION/FINISH**

- Delivered assembled with ballast channel, end panels, and one-piece perforated lamp cover. Ceiling tile to be supplied by others and installed on site.
- Ballast channel made of code gauge die formed steel.
- Multi-stage phosphate treated for maximum corrosion resistance and finish coat is baked white enamel.
- Micro-perforated, center mounted lamp cover provides soft awareness to light source.

- Soft white overlay on inside of lamp cover conceals lamp image and balances between direct and reflected light.
- Easy ballast access through lamp compartment.
- Swing down lamp cover for easy relamping.

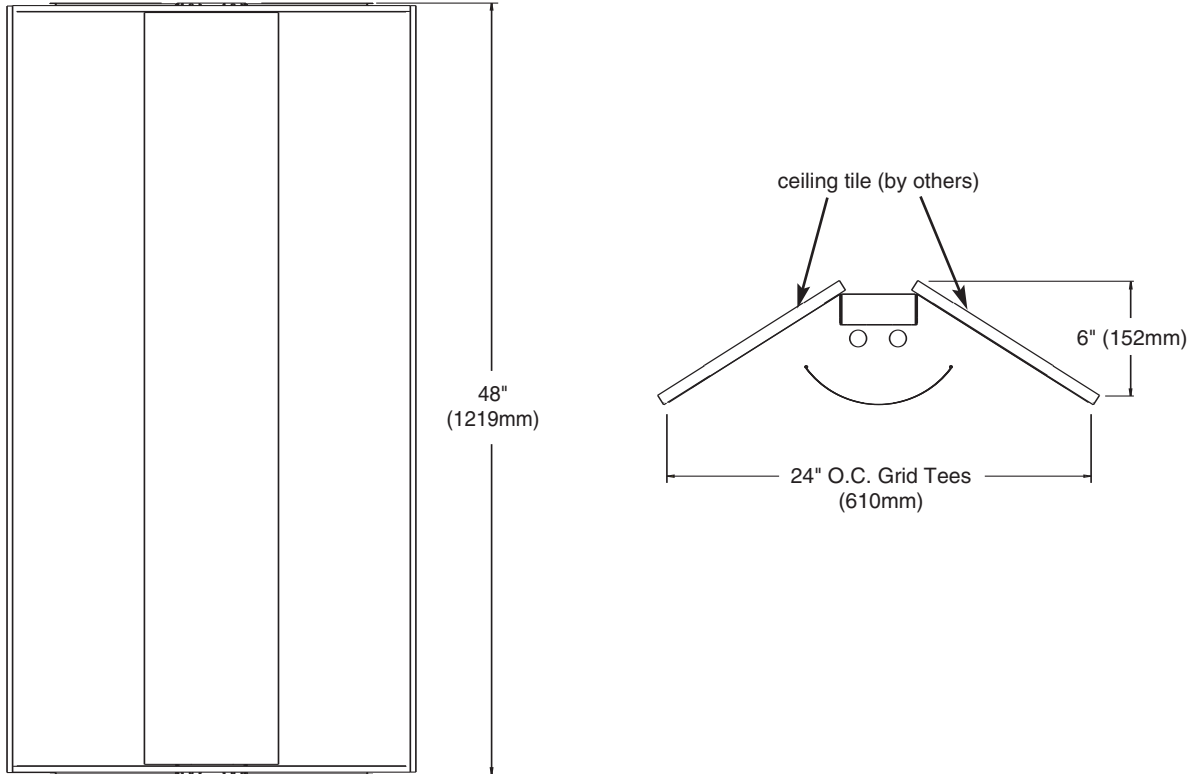
**ELECTRICAL**

- UL listed for damp locations.
- Class P, HPF ballasts comply with ©Federal Ballast Law (public law 100-357, 1988).
- Self contained emergency power pack can be incorporated. UL listed for dry locations.
- Power-Connect modular wiring option available for continuous row applications (see sheet 1604-OA).
- Electronic ballast standard for maximum efficiency.

**CATALOG NUMBER**

<b>2</b>	<b>TO</b>	<b>C</b>	<b>G</b>			-	<b>PMW</b>	-		-		-	
<b>WIDTH</b> 2'	<b>FIXTURE FAMILY</b> TO- Tenuto	<b>BASKET LOCATION</b> C - Center	<b>CEILING TYPE</b> G - Grid	<b>LAMP TYPE/WATTAGE</b> 28 - 28wT5 (46") 32 - 32wT8 (48") 54HO - 54wT5HO (46")	<b>NO. OF LAMPS</b> (not included) 1 2	<b>SHIELDING</b> PMW - Perforated Metal with White Overlay	<b>VOLTAGE</b> 120 277 347 (consult factory for availability) UNV - Universal voltage, 120-277 volt (T8 and 40wTT5 only)	<b>BALLAST</b> Generic Electronic Ballasts (Brand selected by Day-Brite) Suffix Catalog # with - <u>Ballast Quantity</u> - / - <u>EB</u> Lamps Per Ballast.	<b>OPTIONS</b> CM - Canadian Market				
											<p><b>Example: -1/1-EB</b> = One 1 Lamp Electronic Ballast.  <b>Example: -1/2-EB</b> = One 2 Lamp Electronic Ballast.</p>		

## DIMENSIONS



### PHOTOMETRIC DATA

CATALOG # 2TOCG232-PMW-1/2-EB  
TEST #22257 S/MH= 1.2

LAMPS = F32T8

INPUT WATTS = 58

BALLAST = ELECTRONIC

BALLAST FACTOR = .88

LER = 52

COMPARATIVE YEARLY LIGHTING ENERGY COST PER 1000 LUMENS = \$4.62 BASED ON 3000 HRS. AND \$.08 PER KWH.

FIXTURE EFFICIENCY= 59.9%

CANDLEPOWER				
Angle	End	45	Cross	
0	1294	1294	1294	
5	1291	1289	1280	
10	1269	1270	1261	
15	1235	1236	1229	
20	1186	1190	1184	
25	1127	1131	1125	
30	1054	1057	1047	
35	974	977	966	
40	885	881	884	
45	787	786	800	
50	682	686	712	
55	578	589	622	
60	469	493	535	
65	366	399	437	
70	274	305	375	
75	187	227	205	
80	107	99	112	
85	40	36	36	

### MAINTAINED ILLUMINATION TABLE- Square Feet/Fixture\*

- 80-50-20 Reflectances (Ceiling-Wall-Floor)
- LLF = 0.73 2850 Lumens/Lamp very clean
- Room width divided by room height = 5 or more, 2 or 1

Fixture Size & # of Lamps	Room Width Room Height =	Approx. Area (sq. ft.) per Fixture				
		10 ft-c	30 ft-c	50 ft-c	70 ft-c	100 ft-c
2' x 4' 2 Lamp	5	-	86	52	37	-
	2	-	59	36	-	-
	1	130	44	-	-	-

\*Observe Fixture S/MH Requirements for Specific Applications

### AVERAGE LUMINANCE CD/SQ.M WITH 2850 LUMEN LAMPS

ANGLE	END	45°	CROSS
45	1498	1496	1522
55	1356	1382	1459
65	1165	1270	1391
75	972	1180	1066
85	618	556	556

### TYPICAL V.C.P.'s

Room Size	Mounting Height			
	Lengthwise		Crosswise	
	8.5	10	8.5	10
30x30	67	70	66	69
40x40	68	68	66	67
60x30	71	73	70	72
60x60	68	68	67	67
100x100	70	69	70	69

### COEFFICIENT OF UTILIZATION

pfc pcc pw RCR	20		70		50	
	70	50	30	70	50	30
0	70	70	70	69	69	67
1	65	61	59	64	60	58
2	58	55	51	57	53	51
3	54	47	42	53	46	45
4	50	42	36	47	41	36
5	46	38	33	45	38	35
6	41	34	28	40	34	28
7	39	30	26	38	30	26
8	36	28	23	35	28	23
9	34	26	20	33	26	20
10	32	23	20	30	23	19

### LIGHT DISTRIBUTION

DEGREES	LUMENS	% LAMP	% FIXTURE
0-30	989	17.4	29.0
0-40	1598	28.0	46.8
0-60	2740	48.1	80.3
0-90	3412	59.9	100.0

LLF = .73 LLF = LIGHT LOSS FACTOR LLD = LDD X LLD X BF LDD = VERY CLEAN 0.94 CLEAN 0.90  
 LLD = 0.88 @ 40% RATED LAMP LIFE BF = .88 ELECTRONIC BALLAST & 32wT8 LAMP (RELAMP AT 70% LAMP LIFE)