

**2' x 2'
2 Lamp
Side Basket
Recessed Direct/Indirect**

APPLICATION

- Recessed direct/indirect luminaire for glare-free illumination.
- Fits standard 2' x 2' inverted T-grid (NEMA "G") opening.
- Fully recessed mounting, suitable for row mounting.
- Uses standard 2' x 2' ceiling tile (by others) as top cover/reflector.
- Ceiling tile identical to surrounding ceiling can be used to provide a very integrated appearance.
- Different materials, pattern, or colors can be used to create accents or architectural features.
- Economical alternative to traditional recessed direct/indirect luminaires.

CONSTRUCTION/FINISH

- Delivered assembled with ballast channels, end panels, and perforated lamp covers. Ceiling tile to be supplied by others and installed on site.
- Ballast channels made of code gauge die formed steel.
- Multi-stage phosphate treated for maximum corrosion resistance and finish coat is baked white enamel.
- Micro-perforated, side mounted lamp covers provide soft awareness to light sources.

- Soft white overlays on inside of lamp covers conceal lamp images and balance between direct and reflected light.
- Easy ballast access through lamp compartment.
- Swing down lamp covers for easy relamping.
- Built-in grid clips.

ELECTRICAL

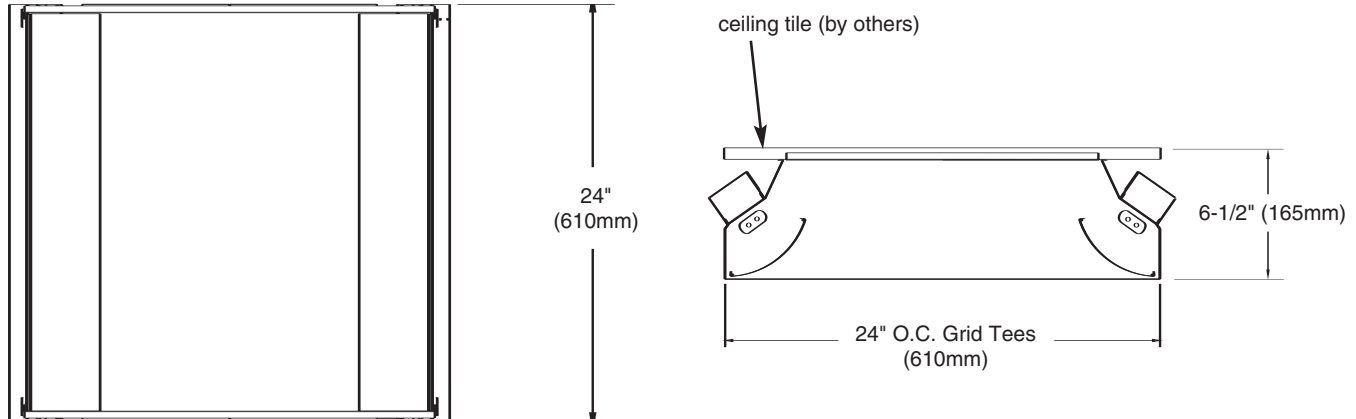
- UL listed for damp locations.
- Class P, HPF ballasts comply with © Federal Ballast Law (public law 100-357, 1988).
- Self contained emergency power pack can be incorporated. UL listed for dry locations.
- Power-Connect modular wiring option available for continuous row applications (see sheet 1604-OA).
- Electronic ballast standard for maximum efficiency.

CATALOG NUMBER

2	TO	S	G	2		-	PMW	-		-		-	
WIDTH	FIXTURE FAMILY	BASKET LOCATION	CEILING TYPE	NO. OF LAMPS	LAMP TYPE/WATTAGE		SHIELDING		VOLTAGE		BALLAST	OPTIONS	
2'	TO- Tenuto	S - Side	G - Grid	(not included) 2	14 - 14wT5 (22") 17 - 17wT8 (24") 24HO - 24wT5HO (22") CF40 - 40wTT5 (22-1/2") CF50 - 50wTT5 (22-1/2") CF55 - 55wTT5 (22-1/2")		PMW - Perforated Metal with White Overlay		120 277 347 (consult factory for availability) UNV - Universal voltage, 120-277 volt (T8 and 40wTT5 only)		Generic Electronic Ballasts (Brand selected by Day-Brite) Suffix Catalog # with - Ballast Quantity - / -EB Lamps Per Ballast.	CM - Canadian Market	

Example: -1/2-EB = One 2 Lamp Electronic Ballast.

DIMENSIONS



PHOTOMETRIC DATA

CATALOG # 2TOSG2CF40-PMW-1/2-EB
TEST #22253 S/MH= 1.3

LAMPS = 40wTT5
BALLAST = ELECTRONIC

INPUT WATTS = 69
BALLAST FACTOR = .88

LER = 52

COMPARATIVE YEARLY LIGHTING ENERGY COST PER 1000 LUMENS = \$4.62 BASED ON 3000 HRS. AND \$.08 PER KWH.

FIXTURE EFFICIENCY= 65.2%

CANDLEPOWER			
Angle	End	45	Cross
0	1342	1342	1342
5	1332	1333	1338
10	1314	1316	1325
15	1279	1287	1304
20	1232	1252	1265
25	1177	1198	1221
30	1114	1131	1160
35	1036	1063	1081
40	956	974	1010
45	864	880	947
50	766	790	886
55	662	707	826
60	559	618	762
65	458	529	696
70	363	438	617
75	278	338	510
80	191	223	343
85	123	103	135

MAINTAINED ILLUMINATION TABLE- Square Feet/Fixture*

- 80-50-20 Reflectances (Ceiling-Wall-Floor)
- LLF = 0.73 3150 Lumens/Lamp very clean
- Room width divided by room height = 5 or more, 2 or 1

Fixture Size & # of Lamps	Room Width Room Height =	Approx. Area (sq. ft.) per Fixture				
		10 ft-c	30 ft-c	50 ft-c	70 ft-c	100 ft-c
2' x 2'	5	-	103	62	44	30
2 Lamp	2	-	68	41	-	-
	1	-	49	29	-	-

*Observe Fixture S/MH Requirements for Specific Applications

AVERAGE LUMINANCE CD/SQ.M WITH 3150 LUMEN LAMPS

ANGLE	END	45°	CROSS
45	3288	3349	3604
55	3106	3317	3875
65	2916	3368	4432
75	2890	3514	5303
85	3798	3180	4168

TYPICAL V.C.P.'s Room Mounting Height

Room Size	Mounting Height			
	Lengthwise	Crosswise	8.5	10
30x30	41	47	33	39
40x40	37	41	30	33
60x30	42	47	37	42
60x60	34	37	29	30
100x100	32	34	29	30

COEFFICIENT OF UTILIZATION

pfc pcc pw	20				70				50			
	70	50	30		70	50	30		50	30		
RCR	0	78	78	78	76	76	76	71	71	71		
	1	69	67	64	68	65	61	61	59			
	2	63	57	53	61	56	52	54	50			
	3	57	50	45	56	48	44	46	42			
	4	53	44	38	51	44	38	41	36			
	5	47	40	34	46	39	33	36	32			
	6	45	35	29	42	34	28	34	28			
	7	40	32	26	40	32	26	30	26			
	8	38	28	23	36	28	23	28	23			
	9	35	27	20	34	27	20	26	20			
	10	34	25	20	33	25	19	23	19			

LIGHT DISTRIBUTION

DEGREES	LUMENS	% LAMP	% FIXTURE
0-30	1044	16.6	25.4
0-40	1708	27.1	41.6
0-60	3048	48.4	74.2
0-90	4105	65.2	100.0

LLF = .73 LLF = LIGHT LOSS FACTOR LLF = LDD X LLD X BF LDD = VERY CLEAN 0.94 CLEAN 0.90
LLD = 0.88 @ 40% RATED LAMP LIFE BF = .88 ELECTRONIC BALLAST & 40wTT5 LAMP (RELAMP AT 70% LAMP LIFE)