

**2' x 4'
2 Lamp
Side Basket
Recessed Direct/Indirect**

APPLICATION

- Recessed direct/indirect luminaire for glare-free illumination.
- Fits standard 2' x 4' inverted T-grid (NEMA "G") opening.
- Fully recessed mounting, suitable for row mounting.
- Uses standard 2' x 4' ceiling tile (by others) as top cover/reflector.
- Ceiling tile identical to surrounding ceiling can be used to provide a very integrated appearance.
- Different materials, pattern, or colors can be used to create accents or architectural features.
- Economical alternative to traditional recessed direct/indirect luminaires.

CONSTRUCTION/FINISH

- Delivered assembled with ballast channels, end panels, and perforated lamp covers. Ceiling tile to be supplied by others and installed on site.
- Ballast channels made of code gauge die formed steel.
- Multi-stage phosphate treated for maximum corrosion resistance and finish coat is baked white enamel.
- Micro-perforated, side mounted lamp covers provide soft awareness to light sources.

- Soft white overlays on inside of lamp covers conceal lamp images and balance between direct and reflected light.
- Easy ballast access through lamp compartment.
- Swing down lamp covers for easy relamping.
- Built-in grid clips.

ELECTRICAL

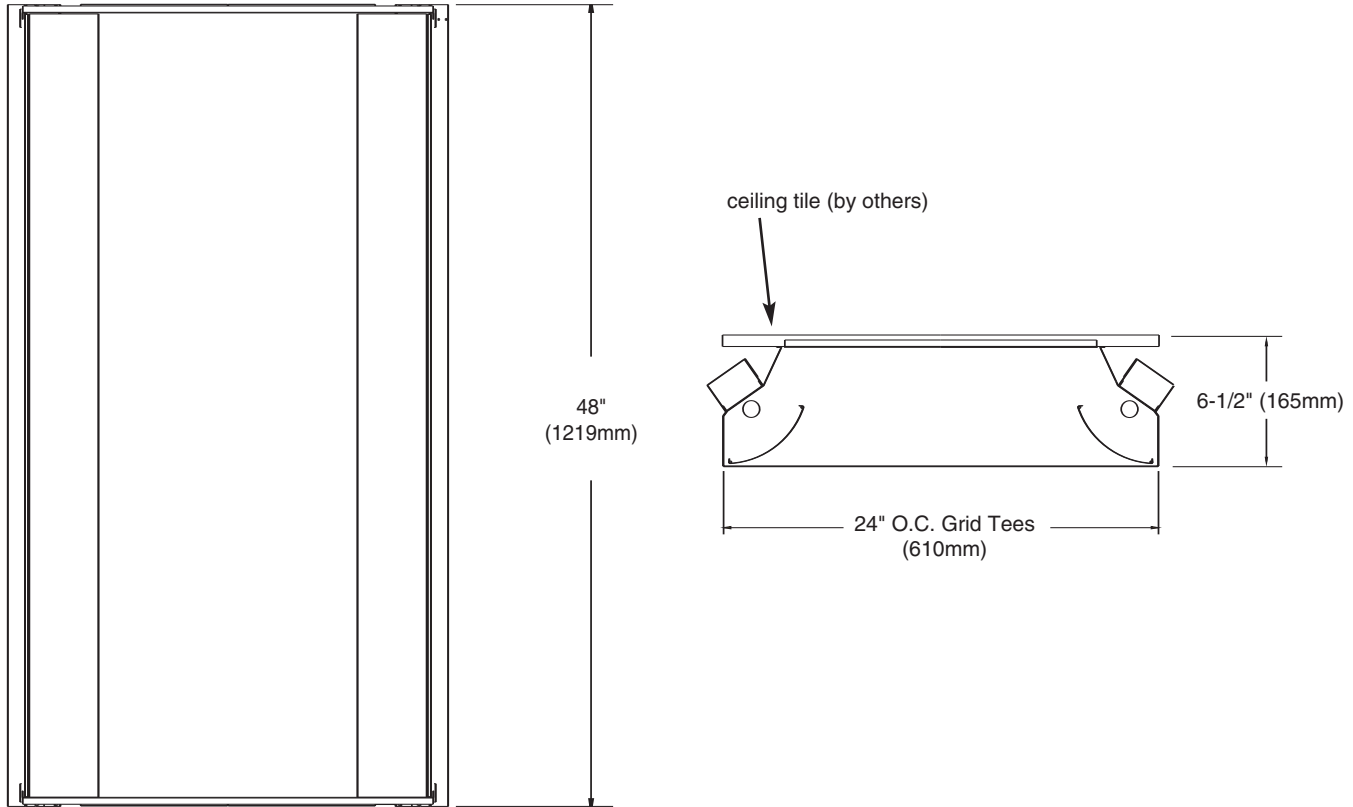
- UL listed for damp locations.
- Class P, HPF ballasts comply with ©Federal Ballast Law (public law 100-357, 1988).
- Self contained emergency power pack can be incorporated. UL listed for dry locations.
- Power-Connect modular wiring option available for continuous row applications (see sheet 1604-OA).
- Electronic ballast standard for maximum efficiency.

CATALOG NUMBER

2	TO	S	G	2	-	PMW	-	-	-	-
WIDTH 2'	FIXTURE FAMILY TO- Tenuto	BASKET LOCATION S - Side	CEILING TYPE G - Grid	NO. OF LAMPS (not included) 2	LAMP TYPE/WATTAGE 28 - 28wT8 (46") 32 - 32wT8 (48") 54HO - 54wT5HO (46")	SHIELDING PMW - Perforated Metal with White Overlay	VOLTAGE 120 277 347 (consult factory for availability) UNV - Universal voltage, 120-277 volt (T8 and 40wTT5 only)	BALLAST Generic Electronic Ballasts (Brand selected by Day-Brite) Suffix Catalog # with - Ballast Quantity - / - EB Lamps Per Ballast.	OPTIONS CM - Canadian Market	

Example: -1/1-EB = One 1 Lamp Electronic Ballast.
Example: -1/2-EB = One 2 Lamp Electronic Ballast.

DIMENSIONS



PHOTOMETRIC DATA

CATALOG # 2TOSG232-PMW-1/2-EB
TEST #22256 S/MH= 1.3

LAMPS = F32T8
BALLAST = ELECTRONIC

INPUT WATTS = 58
BALLAST FACTOR = .88

LER = 55

COMPARATIVE YEARLY LIGHTING ENERGY COST PER 1000 LUMENS = \$4.36 BASED ON 3000 HRS. AND \$.08 PER KWH.

FIXTURE EFFICIENCY= 63.4%

CANDLEPOWER			
Angle	End	45	Cross
0	1141	1141	1141
5	1144	1134	1130
10	1127	1121	1118
15	1101	1099	1100
20	1063	1068	1073
25	1013	1027	1040
30	956	977	992
35	888	924	947
40	814	859	896
45	730	791	842
50	647	722	787
55	557	651	732
60	468	581	677
65	380	507	619
70	301	431	554
75	223	351	441
80	146	239	272
85	75	87	102

MAINTAINED ILLUMINATION TABLE- Square Feet/Fixture*

- 80-50-20 Reflectances (Ceiling-Wall-Floor)
- LLF = 0.73 2850 Lumens/Lamp very clean
- Room width divided by room height = 5 or more, 2 or 1

Fixture Size & # of Lamps	Room Width Room Height =	Approx. Area (sq. ft.) per Fixture			
		10 ft-c	30 ft-c	50 ft-c	70 ft-c
2' x 4' 2 Lamp	5 2 1	- - 129	90 59 43	54 36 -	39 - -

*Observe Fixture S/MH Requirements for Specific Applications

AVERAGE LUMINANCE CD/SQ.M WITH 2850 LUMEN LAMPS

ANGLE	END	45°	CROSS
45	1389	1505	1602
55	1307	1527	1717
65	1210	1614	1971
75	1159	1825	2293
85	1158	1343	1575

TYPICAL V.C.P.'s Mounting Height

Room Size	Lengthwise		Crosswise	
	8.5	10	8.5	10
30x30	58	64	50	57
40x40	55	59	49	52
60x30	59	64	55	60
60x60	54	55	48	49
100x100	53	54	49	49

COEFFICIENT OF UTILIZATION

pfc pcc pw RCR	20		70		50	
	70	50	30	70	50	30
0	75	75	75	73	73	69
1	68	65	61	66	63	60
2	61	56	51	59	55	50
3	56	48	42	54	47	42
4	51	42	36	48	41	36
5	46	38	32	45	36	32
6	42	34	28	41	34	28
7	40	30	25	39	30	25
8	36	28	23	35	28	23
9	34	26	20	34	26	20
10	33	23	19	32	23	19

LIGHT DISTRIBUTION

DEGREES	LUMENS	% LAMP	% FIXTURE
0-30	891	15.6	24.7
0-40	1467	25.7	40.6
0-60	2658	46.6	73.5
0-90	3614	63.4	100.0

LLF = .73 LLF = LIGHT LOSS FACTOR LLF = LDD X LLD X BF LDD = VERY CLEAN 0.94 CLEAN 0.90
LLD = 0.88 @ 40% RATED LAMP LIFE BF = .88 ELECTRONIC BALLAST & 32wT8 LAMP (RELAMP AT 70% LAMP LIFE)