

**1-4 Lamp  
MR16, PAR20, or PAR30**

**APPLICATION**

- Recessed luminaire containing MR or PAR sources for directional lighting without an exposed track.
- Available with MR16 or PAR20/PAR30 lampholders for application flexibility.
- PAR30 models require PAR30S (short neck) lamps. PAR20 lamps may also be used in PAR30 models.
- 3-1/2" aperture matches fluorescent Microslot products.
- Suitable for individual or row mounting and can be row mounted with fluorescent Microslot models.
- Knockouts in ends allow through wiring for continuous row applications.
- Available for grid type (NEMA G) T-bar or flange type (NEMA F) drywall or plaster ceiling applications.
- Due to the narrow aperture, PAR lamps may present clearance issues in applications that require aiming points far off-axis perpendicular to the luminaire aperture. Please contact a factory representative with any questions.

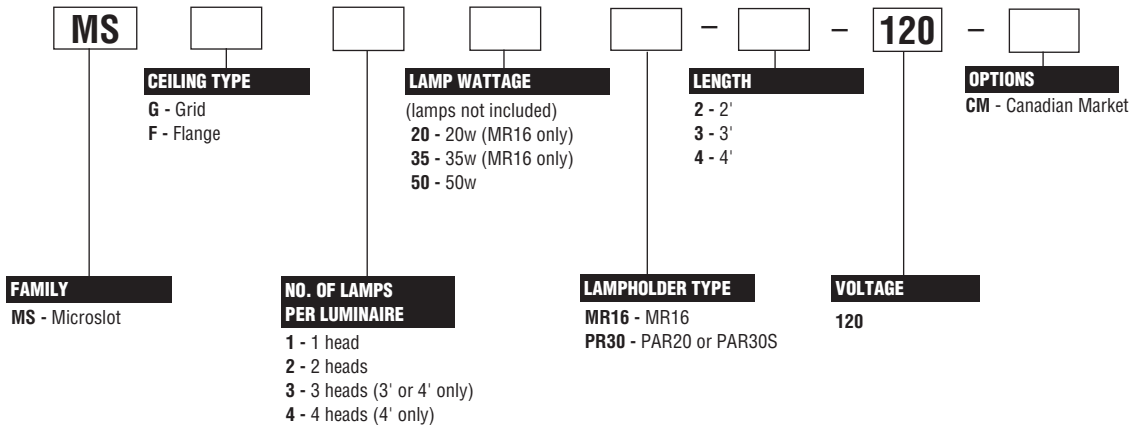
**CONSTRUCTION/FINISH**

- Housing is multi-stage phosphate treated for maximum corrosion resistance and finish coat is high reflectance baked white enamel.
- Inside of housing is painted black to conceal contents.
- MR16 models include black mini gimbal heads and power supplies.
- PAR20/PAR30 models include black extendable PAR holders.
- Easy to attach grid clips are included for ease of installation in T-bar ceilings.

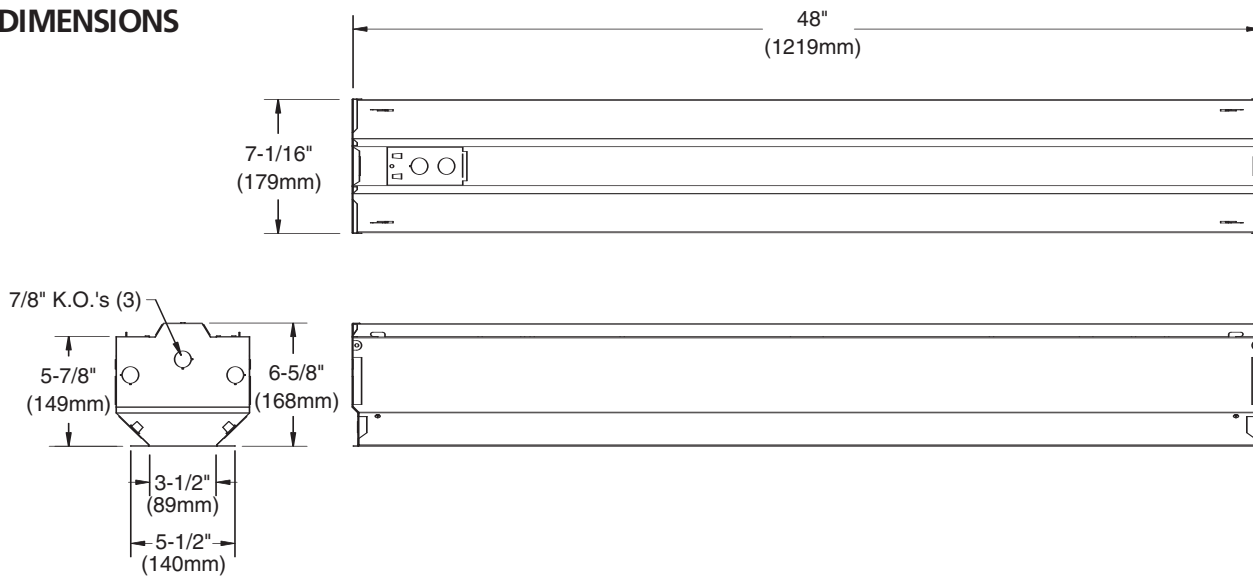
**ELECTRICAL**

- UL listed for damp locations. Canadian model optional.
- 20w and 35w models include lampholders rated and labeled for the specified wattage to reduce power consumption in ASHRAE calculations.

**CATALOG NUMBER**

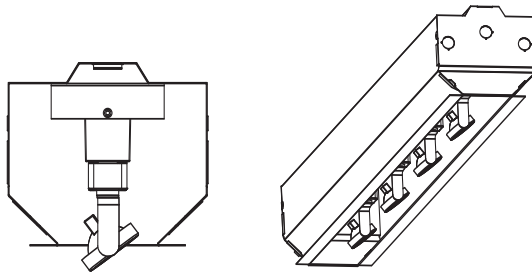


## DIMENSIONS

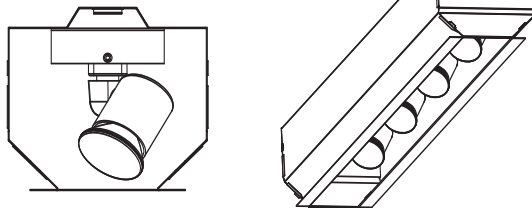


## CROSS SECTIONS

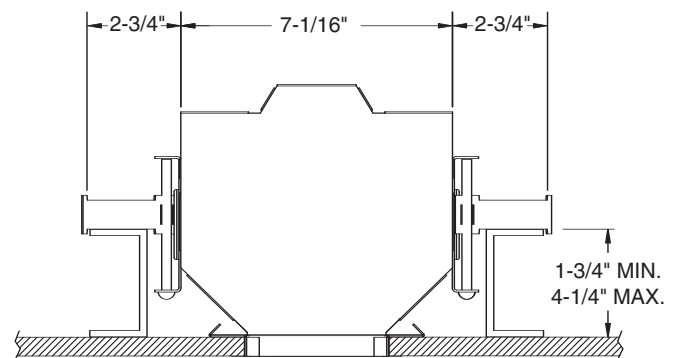
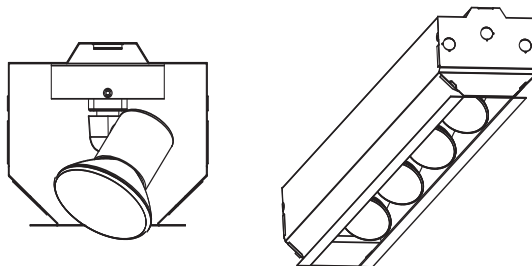
MR16



PAR20  
(in PAR30  
models)



PAR30  
(short neck  
lamp)



### Flange Type

Due to the small aperture, flange option MicroSlot luminaires install much like downlights. The fixture must be installed into the plenum and anchored to a structural member before the plaster or drywall ceiling is constructed. After the ceiling is completed around the luminaire flange, the opening is finished by means of a "trim enclosure" that snaps in from below.

	Ceiling Opening Required	Trim Flange Dimension
2'	4" x 23-1/2"	4-7/16" x 24"
3'	4" x 35-1/2"	4-7/16" x 36"
4'	4" x 47-1/2"	4-7/16" x 48"