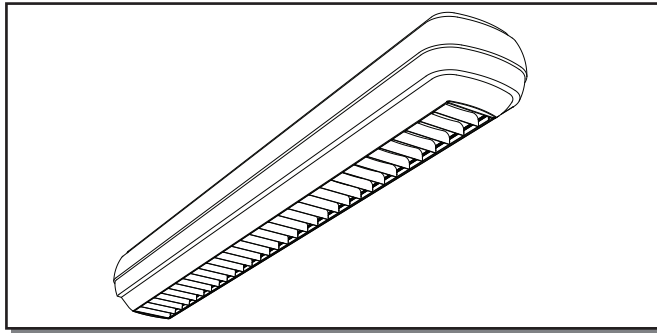


SURFACE/SUSPENDED MICROSLOT™



**2 Lamp
T5 or High Output T5**

APPLICATION

- High quality lighting system providing the same outstanding performance as the recessed Microslot family in a surface/suspended package.
- Suitable for surface mount or suspended applications. Suspension can be accomplished via pendant or inverted "Y" configuration aircraft cable hangers.
- Patented (#5,921,666) optical system provides high-impact lighting ideal for illuminating retail shelves, library stacks, corridors and other special applications where high vertical illuminance is required.
- Sophisticated optical system is designed around T5/T5HO lamps, providing extra optical control due to the small size of the source and allowing a narrow 3-1/2" aperture without sacrificing efficiency.
- Optix reflector technology provides high horizontal and vertical illumination, making the luminaire excellent for area lighting as well as vertical illumination.
- 2 lamp 54wT5HO model emits as much light as a traditional 4 lamp 2x4 troffer.
- High lumen package (when using 54wT5HO lamps) and wide spacing/mounting height ratio combine to allow wide luminaire spacing for horizontal illumination installations.
- Uplight option is available to provide ceiling illumination for suspended installations.
- 2', 4', and 8' modules are offered, available run lengths include any multiple of 2' (i.e. even numbered lengths.)

- 2', 4', and 8' run lengths are available as individual luminaires with factory installed end caps (DEK option) for easier installation.
- Modern, architectural styling complements virtually any space.

CONSTRUCTION/FINISH

- Extruded aluminum housing and die-cast aluminum end caps provide premium fit and finish.
- Reflector is constructed from Alanod MIRO-4 or equivalent, providing 95% minimum reflectance and high specularly.
- Two piece reflector allows removal through aperture and ballast access from below.
- Lamps can be easily changed from below.
- Matte white finish standard, custom colors available.
- White baffles flush with lower housing are standard to provide longitudinal shielding.
- Silver and/or perforated baffles are available to create aesthetic flexibility.

ELECTRICAL

- UL listed for damp locations. Canadian model optional.
- Self-contained fluorescent emergency power packs can be incorporated in most models, UL listed for dry locations.

CATALOG NUMBER

SMS [] **2** [] - [] - [] - [] - [] - [] - [] - [] - []

WIRING	LAMP TYPE/WATTAGE	RUN LENGTH	SUSPENSION DISTANCE	CEILING MOUNT	OPTIONS
1C - 1 Circuit 2C - 2 Circuit 1D - 1 Circuit Dimming 1E - 1 Circuit + Emergency 2E - 2 Circuit + Emergency	14 - 14wT5 (22") 24HO - 24wT5HO (22") 28 - 28wT5 (46") 54HO - 54wT5HO (46")	2 - 2' 4 - 4' 8 - 8' Multiples of 2'	Blank - Surface mount 48 - 48" max. 72 - 72" max. 96 - 96" max. (or specify exact pendant length)	Blank - Standard cable SM - Surface mount G - Aircraft cable w/T-bar clip and small canopy S - Pendant mount with swivel canopy	CM - canadian market UPL - uplight option DEK - factory installed end caps (individual mount 2', 4', and 8' only) CC - custom Color (RAL number or paint chip required) E7LP - emerg. ballast, 390-700 lumens E6LP - emerg. ballast, 725-1325 lumens GLR# - fusing, fast blow (# = number of ballasts)
FIXTURE FAMILY	NO. OF LAMPS PER CROSS SECTION	LOUVER	VOLTAGE	POWER CORD/MOUNTING	
SMS - Surface Microslot	2 (not included)	WF - white solid blades flush w/lower housing (standard) PWF - white perf. blades flush w/lower housing SF - silver solid blades flush w/lower housing PSF - silver perf. blades flush w/lower housing	120 277 347 UNV - Universal Voltage, 120-277 volt	Blank - Surface mount PD - Pendant (stem) CC - Aircraft cable w/coiled cord SC - Aircraft cable w/straight cord	

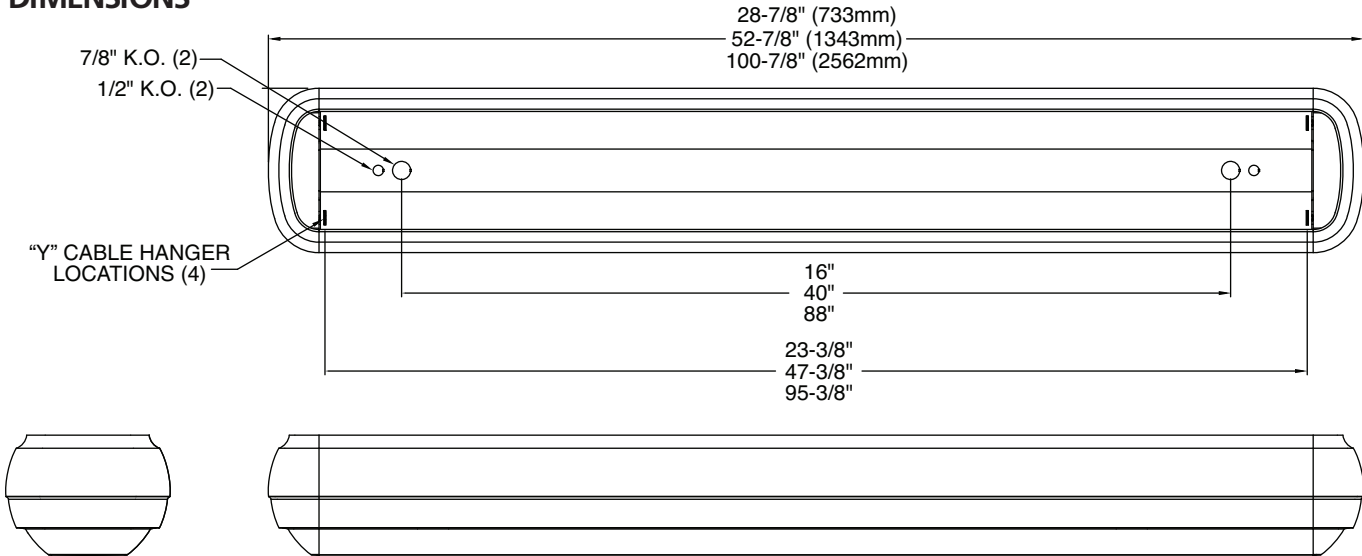
JOB INFORMATION

0629-AR

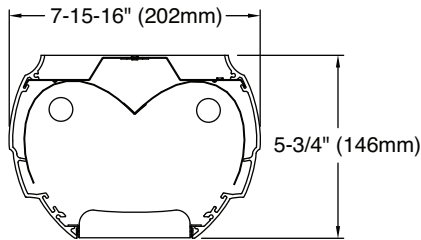
**PHILIPS
Day-Brite**

SURFACE/SUSPENDED MICROSLLOT™

DIMENSIONS



CROSS SECTIONS



PHOTOMETRIC DATA

CATALOG # SMS228-WF-4
TEST #21219

S/MH= 1.6

LAMPS = F28T5

BALLAST = ELECTRONIC

INPUT WATTS = 59

BALLAST FACTOR = 1.0

LER = FL-68

COMPARATIVE YEARLY LIGHTING ENERGY COST PER 1000 LUMENS = \$3.53 BASED ON 3000 HRS. AND \$.08 PER KWH.

FIXTURE EFFICIENCY= 68.8%

CANDLEPOWER				
Angle	End	45	Cross	
0	1531	1531	1531	
5	1500	1486	1452	
10	1453	1451	1462	
15	1381	1412	1417	
20	1295	1314	1558	
25	1196	1311	1675	
30	1074	1328	1700	
35	949	1298	1660	
40	817	1199	1477	
45	690	1076	1252	
50	559	880	1106	
55	433	679	1048	
60	321	518	829	
65	239	380	479	
70	180	246	236	
75	124	164	188	
80	76	115	121	
85	33	74	45	

MAINTAINED ILLUMINATION TABLE- Square Feet/Fixture*					
<ul style="list-style-type: none"> 80-50-20 Reflectances (Ceiling-Wall-Floor) LLF = 0.89 2900 Lumens/Lamp very clean Room width divided by room height = 5 or more, 2 or 1 					
Fixture Size & # of Lamps	Room Width Room Height =	Approx. Area (sq. ft.) per Fixture			
		10 ft-c	30 ft-c	50 ft-c	70 ft-c 100 ft-c
4' 2 LAMP	5	-	125	75	53 37
	2	-	86	52	37 -
	1	-	63	38	- -

*Observe Fixture S/MH Requirements for Specific Applications

AVERAGE LUMINANCE CD/SQ.M WITH 2900 LUMEN LAMPS			
ANGLE	END	45°	CROSS
45	8403	13104	15247
55	6501	10194	15734
65	4870	7743	9760
75	4126	5456	6255
85	3260	7311	4446

TYPICAL V.C.P.'s				
Room Size	Mounting Height			
	Lengthwise	Crosswise		
	8.5	10	8.5	10
30x30	31	33	25	27
40x40	29	31	25	26
60x30	33	35	29	32
60x60	26	28	24	25
100x100	25	26	25	25

COEFFICIENT OF UTILIZATION							
pfc	20						
	80		70		50		
pcc	70	50	30	70	50	30	
pw	70	50	30	70	50	30	
RCR	0	82	82	82	81	81	81
1	76	72	70	75	71	68	68
2	69	65	59	68	63	58	60
3	64	56	52	63	56	51	54
4	58	51	45	56	50	45	48
5	54	46	40	53	45	39	44
6	50	40	34	48	40	34	39
7	46	38	32	45	36	30	35
8	42	34	28	41	34	28	33
9	40	30	26	40	30	26	29
10	38	28	23	36	28	23	28

LIGHT DISTRIBUTION			
DEGREES	LUMENS	% LAMP	% FIXTURE
0-30	1177	20.3	29.5
0-40	1973	34.0	49.4
0-60	3376	58.2	84.6
0-90	3991	68.8	100.0
0-180	3991	68.8	100.0

LLF = .89 LLF = LIGHT LOSS FACTOR LLF = LDD X LLD X BF LDD = VERY CLEAN 0.94 CLEAN 0.90
LLD = 0.95 @ 40% RATED LAMP LIFE BF = 1.0 ELECTRONIC BALLAST & T5 LAMP (RELAMP AT 70% LAMP LIFE)

The photometric results were obtained in the Day-Brite Lighting Laboratory which is NVLAP accredited by the National Institute of Standards and Technology.



0629-AR

DAY-BRITE LIGHTING • www.daybritelighting.com
776 South Green Street • Tupelo, Mississippi 38804 • PH: (662) 842-7212 • FAX: (662) 841-5501
CANADIAN DIVISION
189 Bullock Drive • Markham, Ontario L3P 1W4 • PH: (905) 294-9570 • FAX: (905) 294-9811
©DECEMBER 2009 DAY-BRITE LIGHTING DAY-BRITE RESERVES THE RIGHT TO MAKE CHANGES WITHOUT NOTICE.

PHILIPS
Day-Brite