

1 Lamp T5 or High Output T5

APPLICATION

- Patent pending wall-mounted wall wash luminaire provides uniform vertical illumination for chalkboard, whiteboard, bulletin board, wall wash or other special applications.
- Optix technology and a single lamp cross-section create a highly controlled light distribution, directing more illumination to the lower areas of the application for superior uniformity and higher average light levels.
- T5HO models deliver better illumination and uniformity from a single lamp than most products using two T8 lamps.
- Contoured architectural housing shape creates contemporary aesthetics and minimizes visual impact.
- Unique mounting system makes installation easy.
- Requires 8" offset from surface to be illuminated - use bracket mount for flat walls.
- Surface mount (without bracket) available for installations with a soffit, shelf, etc.
- For individual mounting, order the **DEK** option to receive factory installed end caps.
- For continuous row applications, order one joiner plate (cat. # **EL-IJ**) for each intersection and one pair of end caps (cat. # **EL-DEK**) for each row.
- A 2' unit may be row mounted without a bracket between two 4' units with brackets. This will provide a 10' length with only two mounting brackets.
- Recommended luminaire installation is 12" above the surface to be illuminated.

CONSTRUCTION/FINISH

- Housing is a single aluminum extrusion for excellent fit and finish.
- End caps and mounting bracket are sculpted die-cast aluminum, with no visible attaching hardware.
- Reflector is constructed from Miro 4 by Alanod, providing 95% minimum reflectance and high specularly.
- Baked matte white enamel finish standard.
- Standard baffle features contoured white blades for longitudinal shielding and pleasing aesthetics. Flush, perforated and/or silver baffle blades are available.

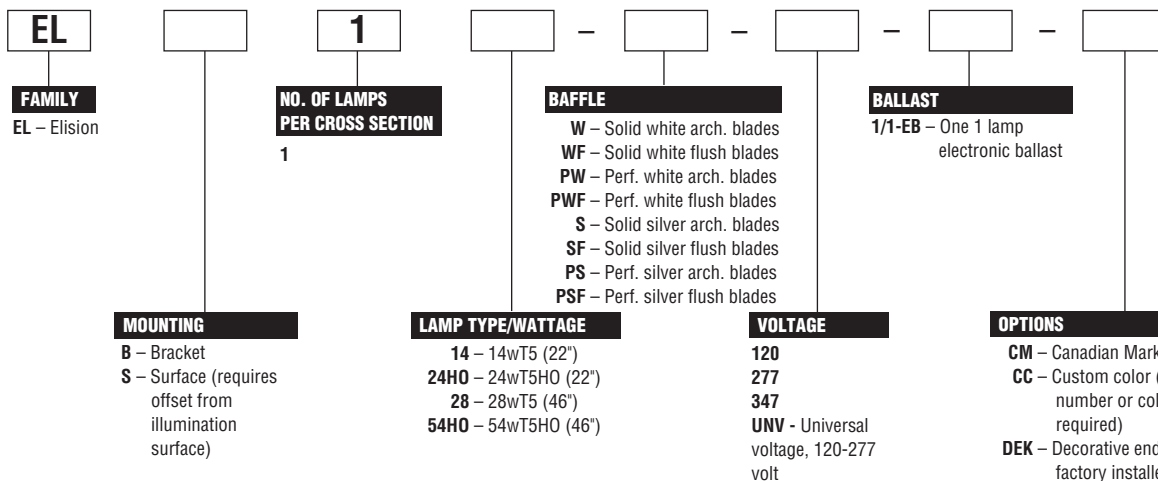
ELECTRICAL

- UL listed for damp locations. Canadian model optional.
- Modular wiring can be incorporated for quick and simple electrical connections in continuous row applications.

ACCESSORIES

- **EL-DEK** - End caps, pair (not required if DEK factory installed end cap option is ordered.)
- **EL-IJ** - Inline Joiner for row mounting

CATALOG NUMBER

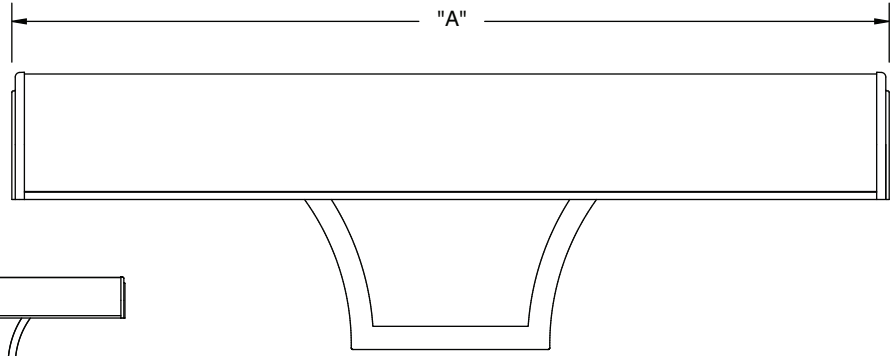


JOB INFORMATION

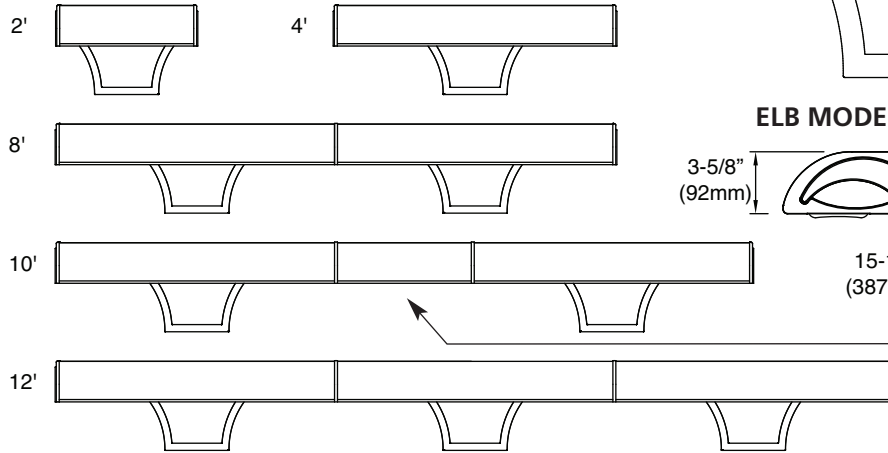
0665.1-AR

DIMENSIONS

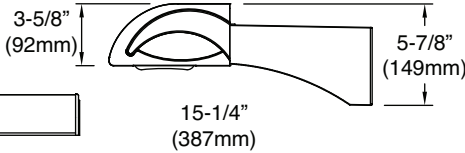
Model	Dimension A
2'	23-1/8" (587mm)
2' w/end caps	24-1/16" (611mm)
4'	47-1/8" (1197mm)
4' w/end caps	48-1/16" (1221mm)



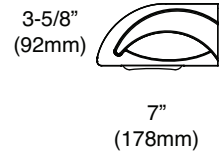
ROW MOUNT CONFIGURATIONS



ELB MODELS

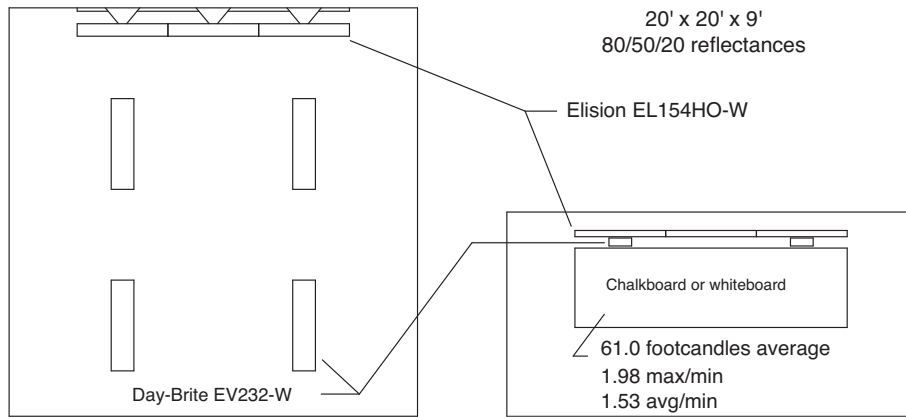


ELS MODELS



For continuous row applications, a 2' Elision can be installed between two 4' models without using an additional mounting bracket.

SAMPLE LAYOUT



PHOTOMETRIC DATA

CATALOG # ELB154HO-W-1/1-EB
TEST #23889-1 S/MH= 0.6

LAMPS = F54T5HO
BALLAST = ELECTRONIC BALLAST FACTOR = 1.00

LER = 58

COMPARATIVE YEARLY LIGHTING ENERGY COST PER 1000 LUMENS = \$4.14 BASED ON 3000 HRS. AND \$.08 PER KWH.

FIXTURE EFFICIENCY= 78.9%

CANDLEPOWER						
Angle	End	45	Cross	Back-45	Back-Cross	
0	2736	2736	2736	2736	2736	
5	2560	2441	2405	2924	3060	
10	2451	2077	1923	2956	3118	
15	2291	1730	1624	2861	2703	
20	2109	1487	1229	2562	1995	
25	1904	1162	1241	1960	1508	
30	1687	1074	1127	1530	1043	
35	1467	987	764	1155	809	
40	1233	817	421	832	633	
45	993	572	177	619	371	
50	754	377	126	493	170	
55	528	252	111	342	112	
60	322	217	92	239	77	
65	213	198	98	207	75	
70	156	167	112	166	75	
75	107	126	72	126	87	
80	66	86	68	89	105	
85	31	51	19	58	47	

MAINTAINED ILLUMINATION TABLE- Square Feet/Fixture*

- 80-50-20 Reflectances (Ceiling-Wall-Floor)
- LLF = 0.89 4400 Lumens/Lamp very clean
- Room width divided by room height = 5 or more, 2 or 1

Fixture Size & # of Lamps	Room Width Room Height =	Approx. Area (sq. ft.) per Fixture				
		10 ft-c	30 ft-c	50 ft-c	70 ft-c	100 ft-c
4'	5	-	110	66	47	33
1 Lamp	2	-	82	49	35	-
T5HO	1	-	64	39	-	-

*Observe Fixture S/MH Requirements for Specific Applications

AVERAGE LUMINANCE CD/SQ.M WITH 4400 LUMEN LAMPS

ANGLE	END	45°	CROSS
45	2359	4944	13232
55	1823	1840	8674
65	2185	1672	4749
75	2621	3167	3895
85	2054	5081	3351

TYPICAL V.C.P.'s

Room Size	Mounting Height			
	Lengthwise	Crosswise	8.5	10
30x30	36	40	40	49
40x40	33	36	34	39
60x30	38	42	41	48
60x60	30	32	31	34
100x100	28	30	29	31

COEFFICIENT OF UTILIZATION

pfc pc pw RCR	20		70		50	
	70	50	30	70	50	30
0	93	93	93	92	92	88
1	88	83	81	84	82	79
2	81	76	71	80	75	71
3	76	68	64	73	68	66
4	70	63	56	68	61	56
5	66	57	52	65	56	51
6	61	53	46	60	52	46
7	57	48	42	56	48	42
8	55	46	40	54	45	40
9	52	42	36	51	41	36
10	48	40	34	47	40	34

LIGHT DISTRIBUTION

DEGREES	LUMENS	% LAMP	% FIXTURE
0-30	1636	37.2	47.1
0-40	2337	53.1	67.3
0-60	3111	70.7	89.6
0-90	3472	78.9	100.0

LLF = .89 LLF = LIGHT LOSS FACTOR LLF = LDD X LLD X BF LDD = VERY CLEAN 0.94 CLEAN 0.90
LLD = 0.95 @ 40% RATED LAMP LIFE BF = 1.00 ELECTRONIC BALLAST & T5HO LAMP

The photometric results were obtained in the Day-Brite Lighting Laboratory which is NVLAP accredited by the National Institute of Standards and Technology.



0665.1-AR

DAY-BRITE LIGHTING • www.daybritelighting.com
776 South Green Street • Tupelo, Mississippi 38804 • PH: (662) 842-7212 • FAX: (662) 841-5501
CANADIAN DIVISION
189 Bullock Drive • Markham, Ontario L3P 1W4 • PH: (905) 294-9570 • FAX: (905) 294-9811
©NOVEMBER 2008 DAY-BRITE LIGHTING DAY-BRITE RESERVES THE RIGHT TO MAKE CHANGES WITHOUT NOTICE.

PHILIPS