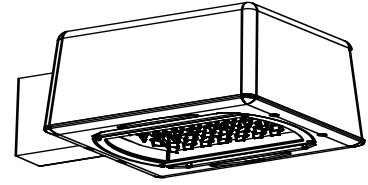


# NITE BRITES

## SBX-LED AREA/SITE LIGHT 90 Watt LED



JOB NAME \_\_\_\_\_

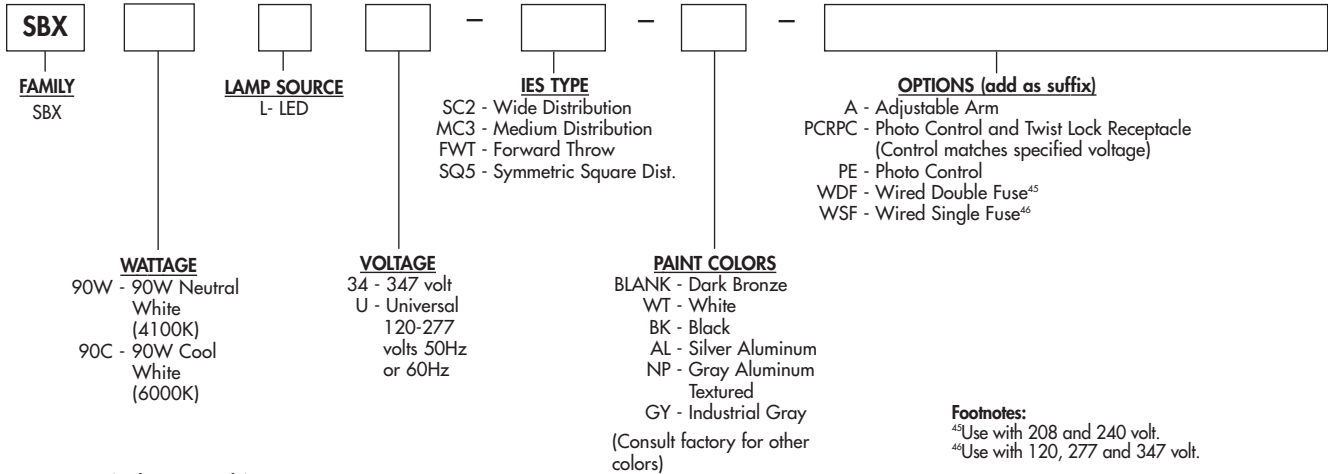
TYPE \_\_\_\_\_

The SBX LED Area/Site Luminaire puts light exactly where you need it, with no spill light. Tough and attractive, this luminaire can light roadways or parking areas with control and precision.



### ORDERING MATRIX

SAMPLE CATALOG NUMBER: SBX400MMT-SC2-PE



#### ACCESSORIES (order separately)

- MCLRPA4 - 4" Round Pole Adapter
  - MCLTA25R - Tenon Adapter (2-3/8" O.D.) drilled for two at 90 degrees/incl. MCLRPA4 (Round Pole)
  - MCLTA35R - Tenon Adapter (2-3/8" O.D.) drilled for three at 120 degrees/incl. MCLRPA4 (Round Pole)
  - MCLTA10R - Tenon Adapter (2-3/8" O.D.) drilled for one/incl. MCLRPA4 (Round Pole)
  - MCLTA20R - Tenon Adapter (2-3/8" O.D.) drilled for two at 180 degrees/incl. MCLRPA4 (Round Pole)
  - MCLTA30R - Tenon Adapter (2-3/8" O.D.) drilled for three/incl. MCLRPA4 (Round Pole)
  - MCLTA40R - Tenon Adapter (2-3/8" O.D.) drilled for four/incl. MCLRPA4 (Round Pole)
  - MCLTA10S - Tenon Adapter (2-3/8" O.D.) drilled for one (Square Pole)
  - MCLTA20S - Tenon Adapter (2-3/8" O.D.) drilled for two at 180 degrees (Square Pole)
  - MCLTA30S - Tenon Adapter (2-3/8" O.D.) drilled for three (Square Pole)
  - MCLTA40S - Tenon Adapter (2-3/8" O.D.) drilled for four (Square Pole)
  - MC10 - 5" SQ Wall Mounting Plate
  - 206WBR - 5" SQ Thru Wire Box
  - MCLARMTLRSC - 6" arm with Twist Lock Photo Control and Shorting Cap
- (For additional descriptions of Area/Site Lighting accessories refer to sheet number OA-50020.)

#### Footnotes:

- <sup>45</sup>Use with 208 and 240 volt.
- <sup>46</sup>Use with 120, 277 and 347 volt.

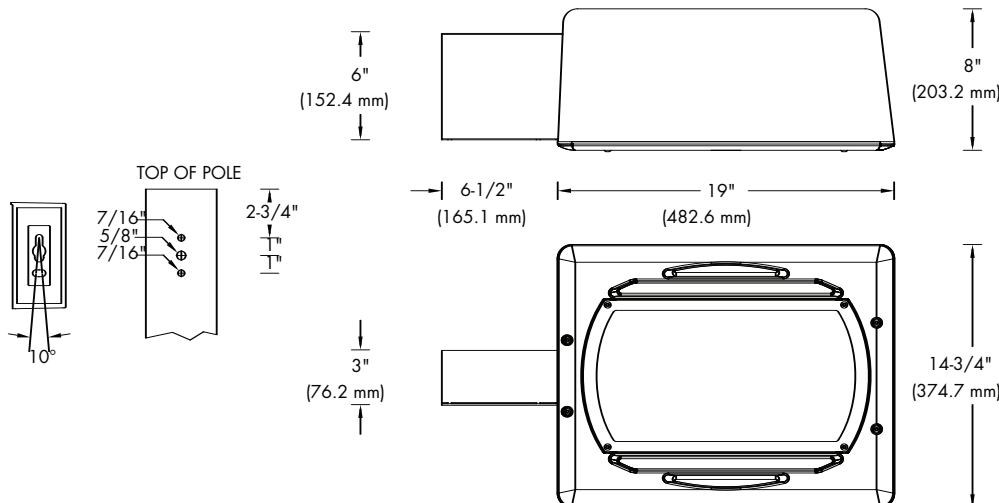
#### General Notes:

All options factory installed.  
All accessories are field installed.  
Data subject to change without notice.

#### Predicted L<sub>70</sub> Lifetime:

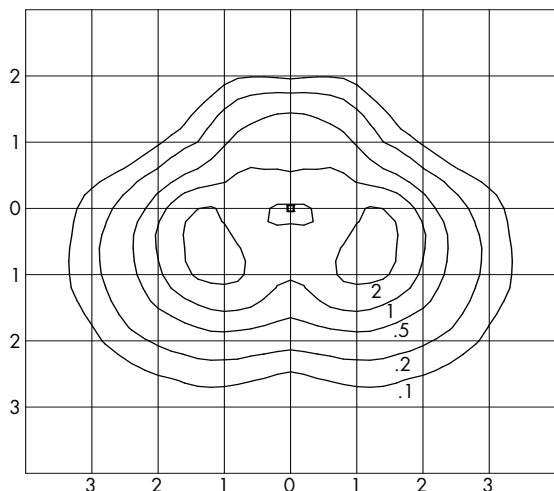
25°C Ambient - >60,000 hours  
(based upon LED manufacturer's supplied LM-80 data and in-situ laboratory testing)

### DIMENSIONS



EPA = 1.50 sq. ft.  
WEIGHT = 36 lbs. (max.)

## PHOTOMETRICS



UNITS SHOWN IN TERMS OF MOUNTING HEIGHT  
INITIAL FOOTCANDLES SHOWN

CATALOG NUMBER: SBX90CLU-MC3  
 TEST NUMBER: LSCD699  
 LAMP: LED  
 WATTAGE: 95  
 LUMENS: 4411  
 TILT ANGLE: 0°  
 MOUNTING HEIGHT: 15 FEET

Note: Photometric values based on tests performed in compliance with LM-79

### ADDITIONAL TEST NUMBERS

DESCRIPTION/CATALOG NUMBER	TEST NUMBER	WATTAGE	LUMENS
SBX90CLU-SC2	LSCD723	95	4114
SBX90CLU-FWT	LSCD724	95	4312
SBX90CLU-SQ5	LSCD700	95	4314

## PRODUCT FEATURES

Certified to meet UL 1598 standards for wet location and 25°C ambient.

1. Rugged one piece die cast aluminum housing.
2. Cast aluminum heat sink designed for excellent thermal transfer to extend component life.
3. Heat and shock resistant tempered glass lens.
4. Polyester powder finish for excellent impact, corrosion and UV resistance.
5. Die cast aluminum arm with integral wiring compartment and slide access cover standard. Designed to mount to minimum 4 inch square pole.
6. Furnished with 10kV surge protector.
7. Components are RoHS compliant.
8. LED light engine and driver are field replaceable.

**5 Year Limited Warranty**

