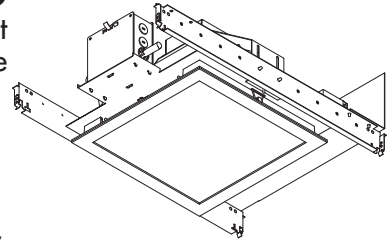


JOB NAME \_\_\_\_\_  
 TYPE \_\_\_\_\_

# ULTI-MIN™ RECESSED 1X1/LENSED

210 and 315 Watt Pulse Start  
 Ceramic Metal Halide

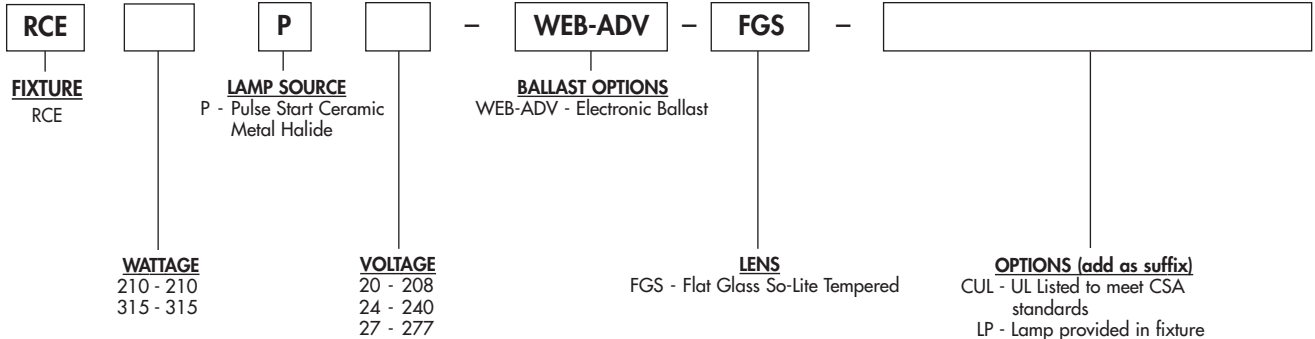
High efficiency 95% specular aluminum reflectors make this small recessed HID luminaire ideal for use with highly efficient ceramic metal halide lamps. Provides broad uniform light distribution for general illumination of areas such as lobbies, reception areas, schools, transportation terminals, banks, malls, and offices.



**Day-Brite® Lighting**

## ORDERING MATRIX

SAMPLE CATALOG NUMBER: RCE315P27-WEB-ADV-FGS

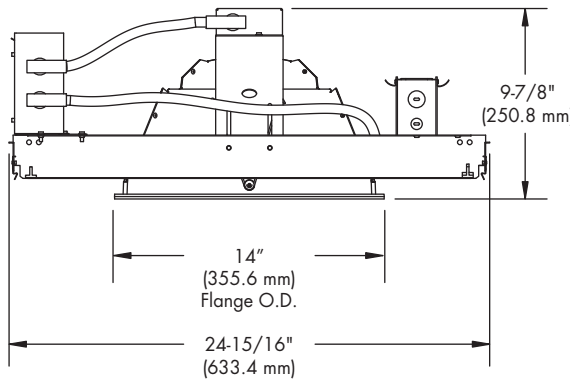
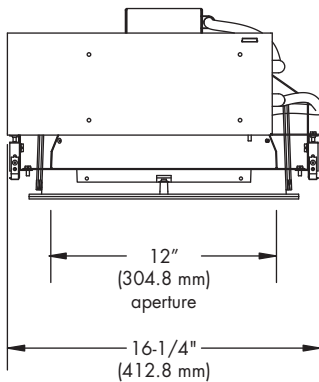


**Footnotes:**  
<sup>45</sup>Use with 208 and 240 volt.  
<sup>46</sup>Use with 120 and 277 volt.  
<sup>90</sup>Consult factory for appropriate ElectroConnect component.

**Warning:** Refer to and follow the lamp manufacturer's warnings and instructions.

**General Notes:**  
 All options are factory installed.  
 All accessories are field installed.

## DIMENSIONS



## ENERGY DATA

INPUT WATTS
210 watts-229 watts
315 watts-343 watts

ULTI-MIN™ RECESSED 1X1/LENSED CI-14040.1

**PHOTOMETRICS**

**RCE RECESSED 1'X1' LENSED 315 WATT PSMH**

WIDE SPREAD S/MH = 1.8

TEST NO. 27197

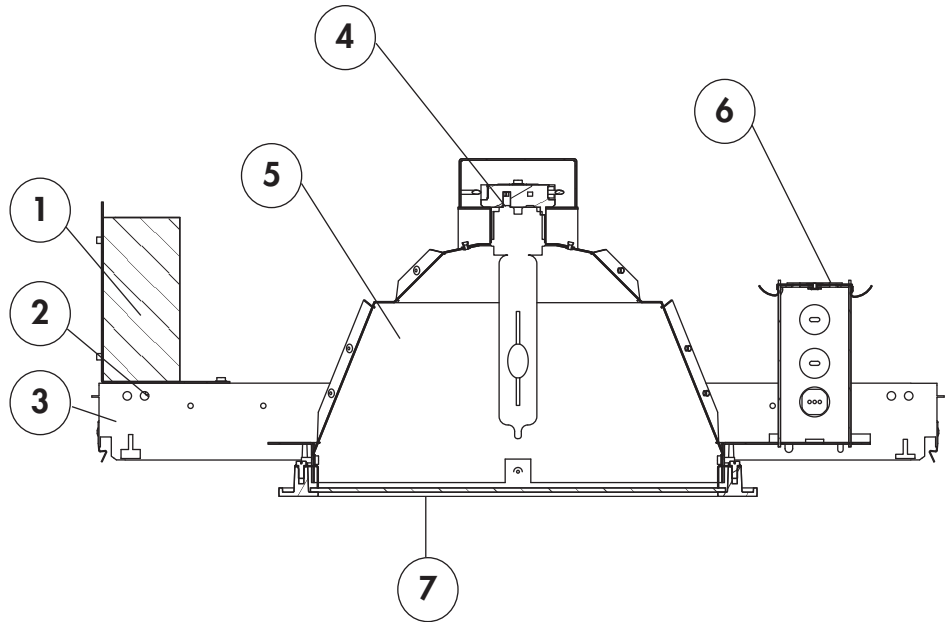
DISTRIBUTION CURVE	COEFFICIENTS OF UTILIZATION	AVERAGE BRIGHTNESS				ZONAL SUMMARY				CANDLEPOWER			
		ZONE	END	45	CROSS	Degrees	Lumens	% Lamp	% Fixture	Angle	Avg. Candela	50	8569
	EFFECTIVE FLOOR CAVITY REFLECTANCE 20 PER (pfc=0.20)	45	164768	159242	160140	(0-30)	7553	20.0	22.8	0	9715	55	6343
	CEIL 80 70 50 30 10	55	124102	112560	120423	(0-40)	14654	38.8	44.3	5	9154	60	4299
	WALL 70 50 30 10 70 50 30 10 50 30 10 50 30 10	65	67393	72868	74906	(0-60)	28408	75.2	85.9	10	8338	65	2816
	RCR	75	42296	48575	50239	(0-90)	33059	87.5	100.0	15	8103	70	1779
	0 104 104 104 104 102 102 102 97 97 97 93 93 93 89 89 89	85	37051	40138	42979					20	8832	75	1131
	1 96 92 88 85 93 90 87 84 86 84 81 83 81 79 80 78 76	COMPARATIVE YEARLY LIGHTING ENERGY COST PER 1000 LUMENS = \$2.34 BASED ON 3000 HRS. AND \$.08 PER KWH.											
	2 87 81 75 70 85 79 74 69 76 71 68 73 69 66 70 67 65	These photometric results were obtained in the Day-Brite Lighting Laboratory which is NVLAP accredited by the National Institute of Standards and Technology.											
	3 80 71 64 58 78 69 63 58 67 61 57 64 60 56 62 58 55												
	4 73 63 55 49 71 61 54 49 59 53 48 57 52 48 55 51 47												
	5 67 56 48 42 65 55 47 42 53 46 41 51 45 41 49 45 41												
6 61 50 42 36 60 49 42 36 47 41 36 46 40 36 45 39 35													
7 57 45 37 32 55 44 37 32 43 36 31 41 36 31 40 35 31													
8 53 41 33 28 51 40 33 28 39 32 28 38 32 27 37 31 27													
9 49 37 30 25 48 36 29 25 35 29 25 34 29 24 34 28 24													
10 46 34 27 22 44 33 27 22 32 26 22 32 26 22 31 26 22													

**ADDITIONAL TEST NUMBERS: RCE315W-CMH-WHITE REFLECTOR-27870-MEDIUM SPREAD S/MH=1.4**

**PRODUCT FEATURES**

Third party certified to meet UL1598 Standards for 25°C ambient, damp location and covered ceiling wet location.

1. Electronic ballast.
2. Mounting pan and ballast tray are precision die-formed 16 gauge bonderized steel
3. Mounting pan has pre-installed C-channels with vertical and horizontal adjustments. Ballast junction box and mounting brackets are accessible from below ceiling.
4. Twist-lock socket.
5. High efficiency 95% reflective aluminum reflector maximizes luminaire efficiency and controls light distribution.
6. Extra large 43.75-cubic inch 16 gauge galvanized steel junction box with snap-on covers. Approve for through wiring with up to 8 #12 AWG conductors.
7. So-Lite® tempered glass lens with die cast aluminum frame.



**CI-14040.1**

DAY-BRITE LIGHTING • [www.daybritelighting.com](http://www.daybritelighting.com)  
 776 South Green Street • Tupelo, Mississippi 38804 • PH: (662) 842-7212 • FAX: (662) 841-5501  
**CANADIAN DIVISION**  
 189 Bullock Drive • Markham, Ontario L3P 1W4 • PH: (905) 294-9570 • FAX: (905) 294-9811  
 Day-Brite Lighting is a Philips group brand. ©MAY 2009 All rights reserved.

**PHILIPS**