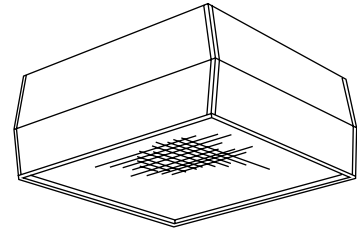


NITE BRITES

DSS-DESIGNER SURFACE SQUARE

70-400 watt Metal Halide
70-400 watt High Pressure Sodium
150-400 watt Pulse Start Metal Halide
165 watt Induction Lamp



JOB NAME _____

TYPE _____

The Designer Surface Square is excellent for lighting outdoor under-canopy commercial installations such as retail buildings, hotels/motels, and office complexes. It can also be mounted indoors to illuminate areas with high ceiling spaces.

ORDERING MATRIX

SAMPLE CATALOG NUMBER: DSS400MMT-Q-DAM

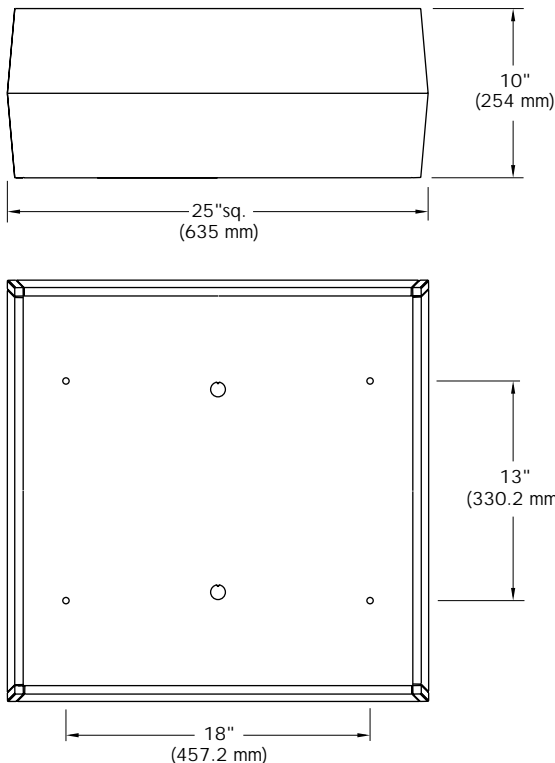
DSS				-		-	
FAMILY DSS		LAMP SOURCE M - Metal Halide S - High Pressure Sodium P - Pulse Start Metal Halide (Ballast option must also be specified) N - Induction Lamp			OPTIONS (add as suffix) CUL - UL Listing to meet CSA standards WSF - Wired Single Fuse ⁴⁶ WDF - Wired Double Fuse ⁴⁵ HR - Hot Restrike (150W HPS only) LP - Lamp provided EP - Encased and Potted core and coil ballast for quiet operation Q - Quartz Standby QEM - Quartz Emergency ⁴⁰ QTD - Quartz Time Delay PSC - Pulse Start CWA Ballast PSM - Pulse Start Magnetic Regulated Ballast (200, 250 & 400 watt only) PSR - Pulse Start Reactor Ballast (150, 200, 250, 320, 350, 400 watt. 277 volt only.)		LENS/LOUVER DAM - Drop Acrylic Injection Molded DPM - Drop Polycarbonate Injection Molded FGC - Flat Glass Pattern #73 Corning (standard) LAS - 169 Cell Specular Louver w/tempered glass overlay FGS - Flat Glass So-Lite Tempered WGD - Wire Guard Designer Surface Square/ Tempered Glass
	WATTAGE 070 - 70 100 - 100 150 - 150 165 - 165 ^{91, 92} 175 - 175 ^{1, 33} 200 - 200 ³¹ 250 - 250 320 - 320 ³⁰ 350 - 350 ³⁰ 400 - 400		VOLTAGE 12 - 120 20 - 200 24 - 240 27 - 277 34 - 347 48 - 480 ^{32, 93} MT - 120/208 240/277 TT - 120/277 347				
ACCESSORIES (order separately)							
DM-S - Stem Mounting Kit							

(For additional descriptions of Canopy Lighting accessories refer to sheet number OA-50040.)

General Notes:
Mogul base lamp only.
All options are factory installed.

Footnotes:
¹Metal Halide only.
³⁰Pulse Start Metal Halide only.
³¹Not available in standard Metal Halide.
³²Not available in 70 watt Metal Halide.
³³Not available in Pulse Start Metal Halide.
⁴⁰Requires 120 volt secondary power supply.
⁴⁵Use with 208, 240, and 480 volt.
⁴⁶Use with 120, 277, and 347 volt.
⁹¹Induction lamp only.
⁹²120 through 347 volt only. Specify voltage.
⁹³Not available in Induction Lamp.

DIMENSIONS



WEIGHT = 62 lbs. (max.)

ENERGY DATA

HIGH PRESSURE SODIUM

HX BALLAST INPUT WATTS
70 watt-91 watts
100 watt-130 watts
150 watt-188 watts
CWA BALLAST INPUT WATTS
200 watt-240 watts
250 watt-295 watts
310 watt-365 watts
400 watt-464 watts

METAL HALIDE

HX BALLAST INPUT WATTS
70 watt-90 watts
100 watt-129 watts
150 watt-185 watts
CWA BALLAST INPUT WATTS
150 watt-189 watts
175 watt-210 watts
200 watt-232 watts
250 watt-295 watts
320 watt-368 watts
350 watt-400 watts
400 watt-458 watts

INDUCTION

165 watt-165 watts

DESIGNER SURFACE SQUARE 400 WATT MH																																									
MEDIUM SPREAD S/MH = 1.1				TEST NO. 18122																																					
DISTRIBUTION CURVE				COEFFICIENTS OF UTILIZATION				AVERAGE BRIGHTNESS				ZONAL SUMMARY		CANDLEPOWER																											
				EFFECTIVE FLOOR CAVITY REFLECTANCE 20 PER (rho=0.20)										ZONE		END		CROSS		Degrees		Lumens		% Lamp		% Fixture															
				CEIL				80				70				50				30		10																			
				WALL				70				50				30				10																					
				RCR				82				82				81				81				77		77		74		74		71		71							
				0				82				82				81				81				77		77		74		74		71		71							
				1				77				75				73				69				70		68		66		65		65		64		63					
				2				72				67				64				60				64		61		58		61		59		58		56					
				3				67				61				56				52				58		54		51		56		53		51		54		52		50	
				4				62				55				50				46				53		49		46		51		48		45		50		47		45	
				5				58				51				45				41				48		44		41		47		43		40		46		43		40	
6				54				46				41				37				45		40		37		44		40		37		42		39		36					
7				51				43				37				34				41		37		34		40		36		33		39		36		33					
8				48				40				34				31				38		34		31		37		33		30		37		33		30					
9				45				37				32				28				44		36		32		28		35		31		28		34		31		28			
10				42				34				29				26				33		29		26		33		29		26		32		28		26					
										45		25171		30216		29769		(0-30)		12432		31.1		44.9		0		16599		50		3539									
										55		14437		14216		17133		(0-40)		18509		46.3		66.8		5		16650		55		2491									
										65		10138		11344		10404		(0-60)		25470		63.7		91.9		10		16532		60		1801									
										75		8433		9357		9126		(0-90)		27709		69.3		100.0		15		16043		65		1278									
										85		3629		4960		4073		(90-180)		0		0.0		0.0		20		15028		70		911									
																(0-180)		27709		69.3		100.0		25		13691		75		661											
																								30		11724		80		429											
																								35		9557		85		105											
																								40		7627															
																								45		5711															
										COMPARATIVE YEARLY LIGHTING ENERGY COST PER 1000 LUMENS = \$3.93 BASED ON 3000 HRS. AND \$.08 PER KWH. LER=61																															
														These photometric results were obtained in the Day-Brite Lighting Laboratory which is NVLAP accredited by the National Institute of Standards and Technology.																											

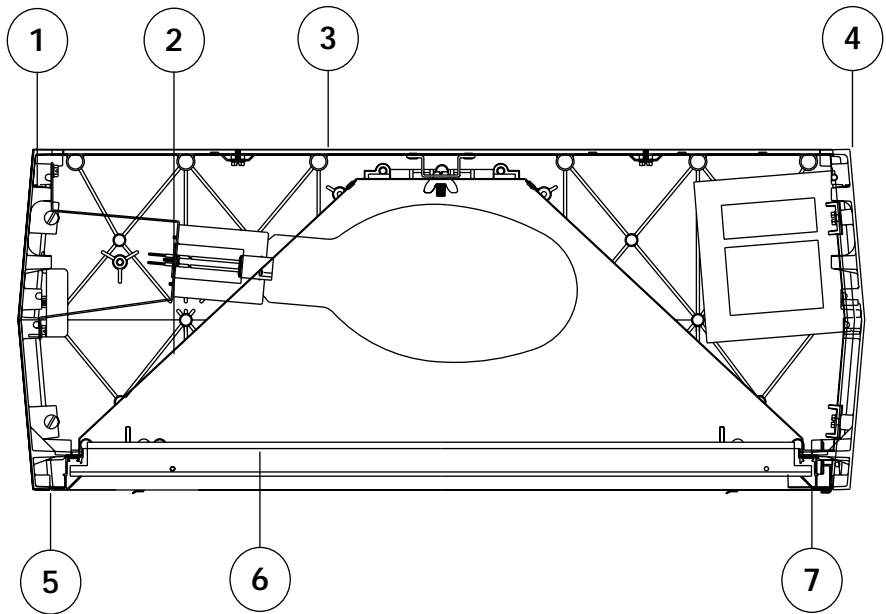
ADDITIONAL TEST NUMBERS

DESCRIPTION	ENCLOSURE	TEST NUMBER
400 WATT HPS	FGC	18121
250 WATT METAL HALIDE	FGC	18120

PRODUCT FEATURES

UL 1598 Listed for wet location and 40°C ambient covered ceiling non-combustible mounting (25°C rating for 165 watt induction lamp version).

- Premium housing is constructed of four (4) die cast aluminum side panels, interlocked together with a concealed seam. Internally formed ballast fins for maximum heat transfer.
- Reflector is anodized aluminum with matte finish.
- White polyester powder finish for excellent corrosion and impact resistance.
- Architectural shape with horizontal plane-break. Corner detail gives solid corner effect.
- Toolless access for re-lamping and reflector removal.
- Wide variety of lens or louvers optional.
- Lens/enclosure: Extruded aluminum lens frame with mitered corners. Lens and housing are gasketed to prevent the intrusion of insects. Spring latches.
- Available 165 watt Induction lamp provides up to 100,000 hours of life, making it a perfect choice for areas where service and maintenance access is difficult.



Visit our web site at www.daybriteighting.com

776 South Green Street Tupelo, MS 38804 Phone: 662-842-7212 Fax: 662-841-5501

CL-44010

189 Bullock Drive Markham, Ontario Canada L3P 1W4 Phone: 905-294-9570 Fax: 905-294-8911
 Day-Brite Lighting reserves the right to make changes without notice. ©September 2001. DL2.5M0901
 Day-Brite Lighting is a Genlyte Thomas Group.

