

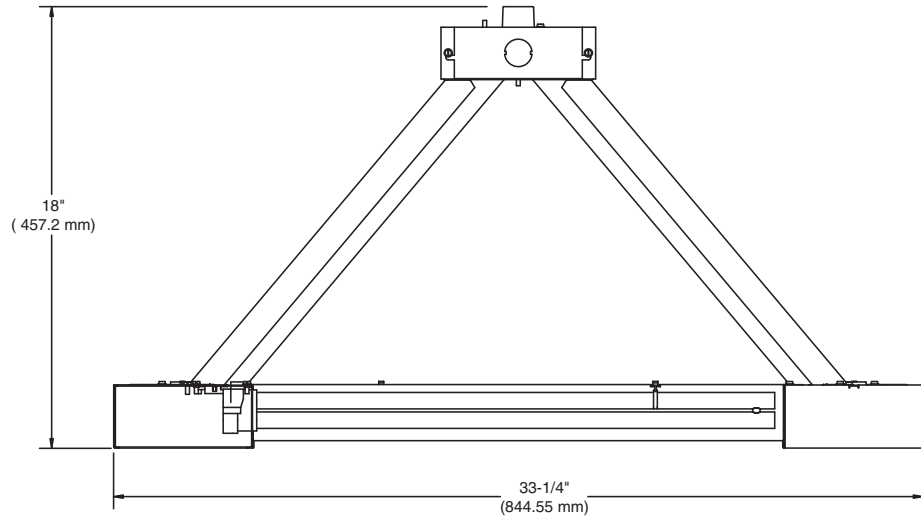
Features

- Instant on for light when it is needed
- Multi-level switching for lighting control.
- Dimming option for energy savings
- 90% lumen maintenance for good light levels.
- Energy savings over HID industrial luminaires.
- 55°C ambient temperature rating.
- UL 1598 listed.

APEX FLUORESCENT LOW BAY

The APEX® fluorescent Low Bay luminaire features four 80 watt long twin tube fluorescent lamps. It is designed with separate lamp and ballast compartments to maximize performance. With a maximum efficiency of 96% and a spacing criteria of 2.1, it is an energy saving replacement for 400 watt metal halide low bays. It can be used in industrial or commercial applications where a fluorescent light source is desired.

DIMENSIONS



SAMPLE CATALOG NUMBER: APL480-M4-UNV-4/1-EB

General Notes:

All options factory installed.
 All accessories are field installed.
 2G11 lamp base only
 Dimming ballasts are 0-10V standard
 Data subject to change without notice

Accessories (order separately)

APL-WG4 - Wire Guard (4 pieces)
APL-DB-01 - Prismatic Acrylic Lens (4 pieces)

APL	4	-	-	-	-4/1-EB-
<u>FAMILY</u>	<u>LAMP TYPE</u>	<u>VOLTAGE</u>	<u>BALLAST</u>	<u>OPTIONS</u>	
APL	40 - 40WTT5 50 - 50WTT5 55 - 55WTT5 80 - 80WTT5	UNV (105-305 V) 120 277	4/1-EB - Four 1 lamp Electronic Ballasts	D1 - Electronic Dimming Ballast for (1) lamp (55 or 80 watt lamp only) D2 - Electronic Dimming Ballasts for (2) lamps (55 or 80 watt lamp only) D3 - Electronic Dimming Ballasts for (3) lamps (55 or 80 watt lamp only) D4 - Electronic Dimming Ballasts for (4) lamps (55 or 80 watt lamp only) WSF - Wired Single Fuse for 120 or 227 WDF - Wired Double Fuse for 208 or 240	
<u>LAMP QUANTITY</u>	<u>REFLECTOR MATERIAL</u>	<u>UPLIGHT</u>			
4	M4 - Miro 4 WT - White Painted Reflector	U - Uplight BLANK - No Uplight			