

Features

- Heavy wall, two piece die cast aluminum ballast housing with "Slant 2" mounting geometry for cooler operation and white polyester powder finish for excellent corrosion and impact resistance.
- Heavy gauge yoke provides positive mounting of the reflector to the ballast assembly and field adjustable light distribution.
- Hydroformed, heavy gauge aluminum reflector

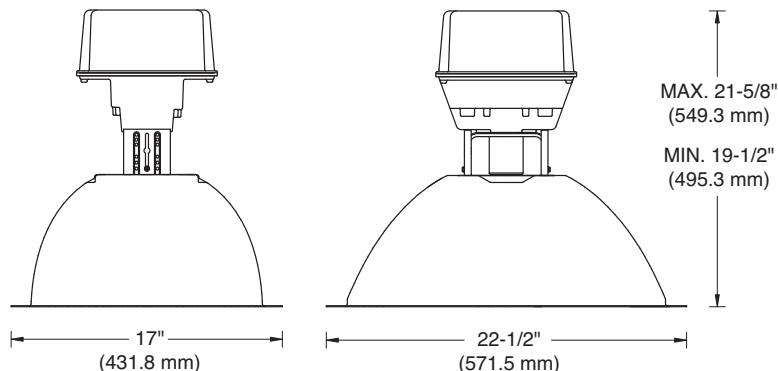
with precision facets and a clear anodized finish.

- UL 1598 listed for use in 55°C ambient and damp location applications.

LOGISTIX^{Pro}™ AISLE LIGHTER

The HBO LogistixPro Aisle Lighting Luminaire has an open, hydroformed faceted aluminum reflector with asymmetric distribution. It is the best choice for aisle/warehouse applications in commercial and industrial facilities.

DIMENSIONS



SAMPLE CATALOG NUMBER*: HBO400PMT-PSC AA20

Footnotes:

- *Not available in High Pressure Sodium.
- ³⁰Pulse Start Metal Halide only.
- ³¹Not available in standard Metal Halide.

General Notes:

- Mogul base lamp only.
- All options are factory installed.
- All accessories are field installed.
- See Pages 747-749 for ballast electrical data.

**Ballast assembly and optical assembly to be ordered and shipped separately.*

Data subject to change without notice

For open luminaires, open rated Lamp and exclusionary socket – "OR" option– are required to meet the National Electrical Code.

Warning: Many Metal Halide Lamps are rated for enclosed luminaires only. Some lamps are specifically rated for open luminaires and require an open rated socket (option code—"OR"). Refer to and follow the lamp manufacturer's warnings and instructions.

BALLAST ASSEMBLY			OPTICAL
HBO			AA20
<u>BALLAST ASSEMBLY</u>	<u>LAMP TYPE</u>	<u>OPTIONS</u>	<u>OPTICAL ASSEMBLY</u>
HBO	M – Metal Halide S – High Pressure Sodium P – Pulse Start Metal Halide (Ballast option must also be specified)	See pages 724-732 for additional options and accessories.	AA20 – Open 20" x 15" Aisle Lighter
	<u>WATTAGE</u>	<u>VOLTAGE</u>	
	150 – 150 175 – 175 ⁴ 200 – 200 ³¹ 250 – 250 300 – 300 ³⁰ 320 – 320 ³⁰ 325 – 325 ³⁰ 350 – 350 ³⁰ 400 – 400 450 – 450 ³⁰	48 – 480 MT – 120/208/240/277 TT – 120/277/347 2T – 208-277 (WEB only)	