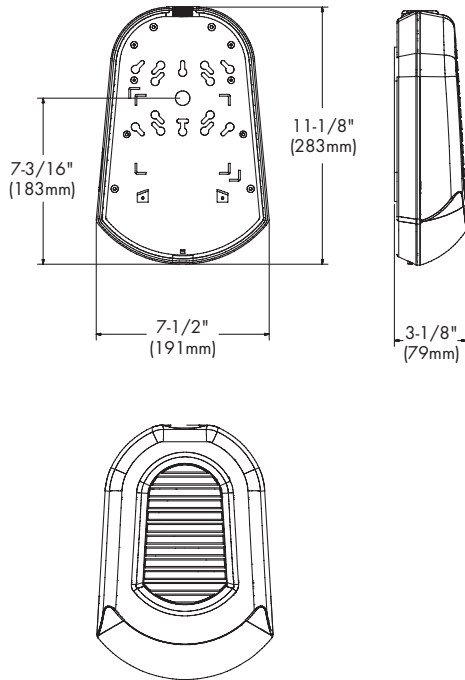


# PATRON™ ARCHITECTURAL DIE CAST ALUM. UNIT

The Patron Series is a unique and appealing change to emergency lighting units. A die cast housing allows for a rugged, yet attractive design that blends with any décor. This new series is versatile enough for any environment, including outdoor applications or something more sophisticated.

## DIMENSIONS



### Additional Features

- **BATTERY** – Choice of 6V maintenance-free sealed lead acid battery with a service life of 5 to 8 years and an operating temperature range of 50°F (10°C) to 90°F (32°C) or 6V maintenance-free sealed nickel cadmium battery with a service life of 7 to 9 years and an operating temperature range of 0°F (-18°C) to 131°F (55°C). Both provide a minimum of 90 minutes emergency illumination. Units with a heater will operate in temperatures as low as -20°F (-29°C).
- **LAMPS** – Lead acid units have two 6V, 12w halogen bi-pin lamps. Nicad and remote units have two 6V, 6w halogen bi-pin lamps.
- **CONSTRUCTION** – Marine-grade die-cast aluminum housing with mirror reflector to provide excellent photometrics. UV Stable polycarbonate lens and neoprene gasket to protect from moisture and rain.
- **WARRANTY** – Five year warranty on units. (Lamps not included)

### Features

- **CODES AND STANDARDS** – ETL listed to UL 924 standard, Wet location listed standard, NEC, NFPA 101
- **VOLTAGE INPUT** – 120/277 VAC selectable input.
- **INSTALLATION** – Universal J-box pattern on back. Rigid conduit entry on top of the housing.
- **FINISH** – Polyester powder coat for superior protection. All units are available in white, black, dark bronze, titanium or brushed nickel. Consult factory for custom colors.
- **ELECTRONICS** – Each unit includes low voltage disconnect, AC lockout, and brownout protection. Solid state charging circuit. Also includes Self-Test/Self-Diagnostics circuitry (not available in Remote units).



PATRON™

ARCHITECTURAL DIE CAST UNIT

### SAMPLE CATALOG NUMBER: PDLB

Catalog Number	Operation	Volts	Wattage	Housing Color	Lamp Type
<b>PDNW</b>	Nicad battery	6	6	White	6W halogen
<b>PDNB</b>	Nicad battery	6	6	Black	6W halogen
<b>PDNBZ</b>	Nicad battery	6	6	Dark Bronze	6W halogen
<b>PDNTT</b>	Nicad battery	6	6	Titanium	6W halogen
<b>PDNBN</b>	Nicad battery	6	6	Brushed Nickel	6W halogen
<b>PDLW</b>	Lead Acid battery	6	12	White	12W halogen
<b>PDLB</b>	Lead Acid battery	6	12	Black	12W halogen
<b>PDLBZ</b>	Lead Acid battery	6	12	Dark Bronze	12W halogen
<b>PDLTT</b>	Lead Acid battery	6	12	Titanium	12W halogen
<b>PDLBN</b>	Lead Acid battery	6	12	Brushed Nickel	12W halogen
<b>PDRW</b>	Remote unit	6	6	White	6W halogen
<b>PDRB</b>	Remote unit	6	6	Black	6W halogen
<b>PDRBZ</b>	Remote unit	6	6	Dark Bronze	6W halogen
<b>PDRTT</b>	Remote unit	6	6	Titanium	6W halogen

### Accessories:

**PDHTR** – Patron Heater Kit

**WG3** – Wireguard

For more information concerning the Patron, consult specification sheet number **ERE1010**, in your mcPhilben Emergency Binder or go to [www.dcolighting.com](http://www.dcolighting.com).

mcPhilben  
emergency lighting